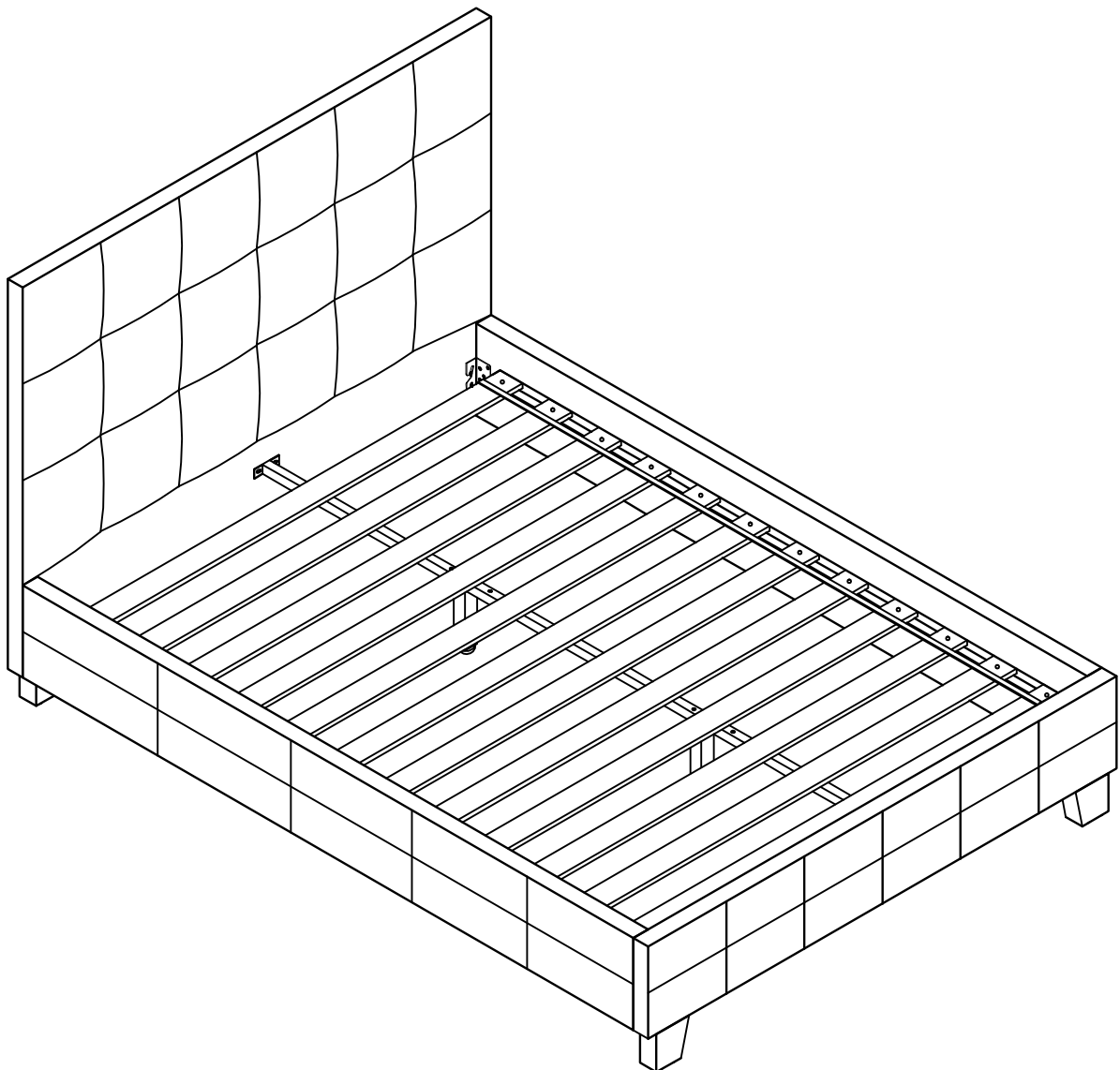


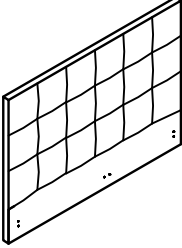
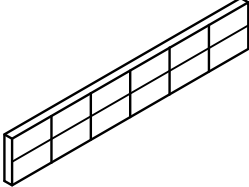
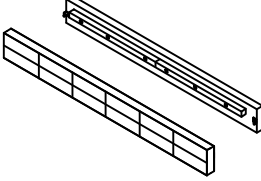
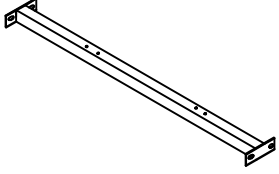
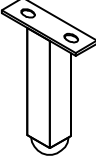
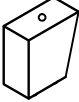
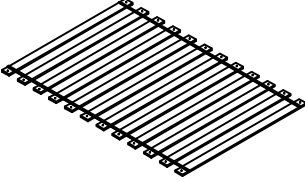
# **ASSEMBLY INSTRUCTION**

## **HQBED8002-QUEEN**




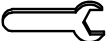



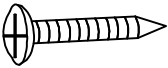
**IMPORTANT: PLACE ALL PARTS ON A CLEAN AND SMOOTH SURFACE SUCH AS A RUG OR CARPET TO AVOID THE PARTS FROM BEING SCRATCHED. KINDLY FOLLOW THE ASSEMBLY INSTRUCTIONS STEP BY STEP. DO NOT TIGHTEN ALL SCREWS UNTIL THE BED IS FULLY SET-UP.**



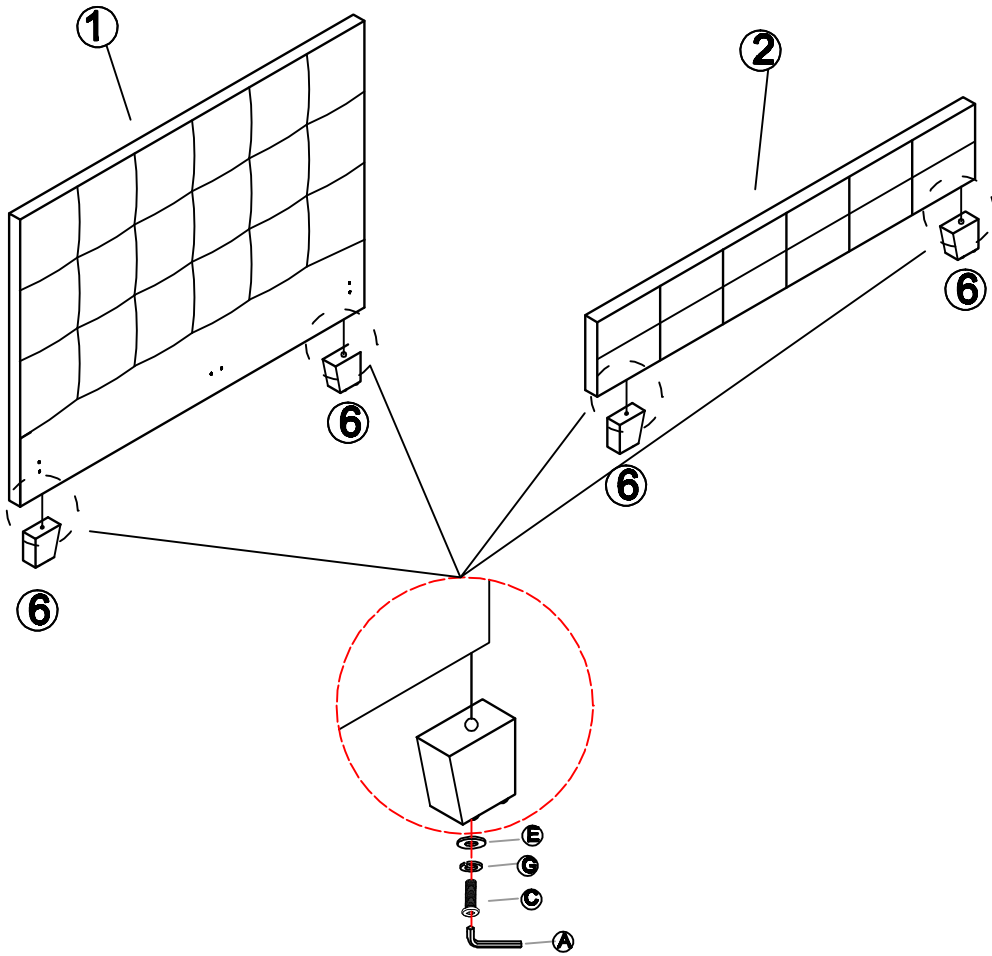
## PARTS LIST:

<p>① Headboard=1pc</p> 	<p>② Footboard=1pc</p> 	<p>③ Side Rail=2pcs</p> 	<p>④ Support rail=1pc</p> 
<p>⑤ Support leg=2pcs</p> 	<p>⑥ FB Feet=4pcs</p> 	<p>⑦ Slats=12pcs</p> 	

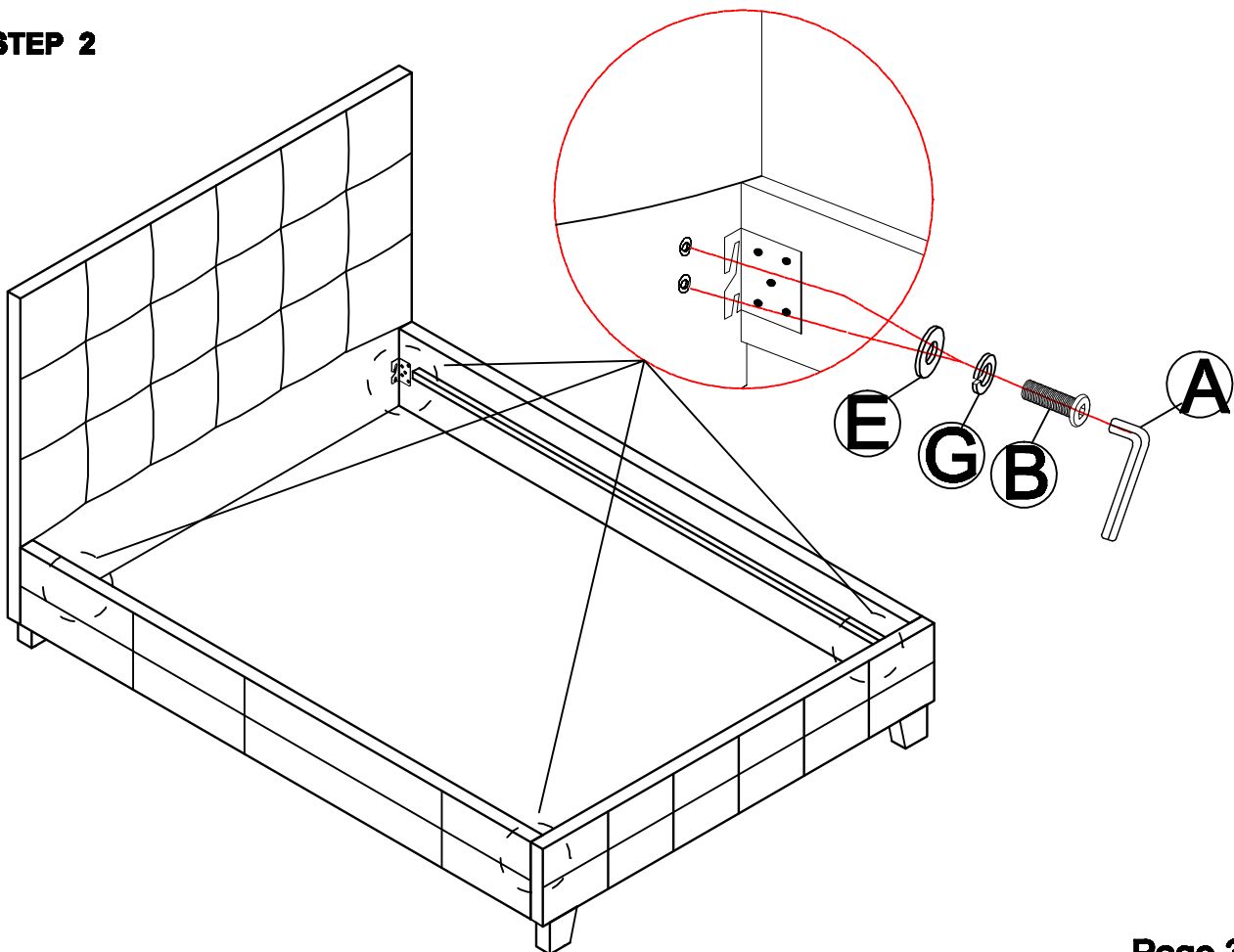
## HARDWARE LIST:

<p>Ⓐ Allen Key=1pc</p> 	<p>Ⓑ Bolt <math>\frac{5}{16}</math>"x1-1/2"=16pcs</p> 	<p>Ⓒ Bolt <math>\frac{5}{16}</math>"x2-1/2"=4pcs</p> 	<p>Ⓓ wrench=1pc</p> 
<p>Ⓔ Flat Washer <math>\frac{5}{16}</math>"x19=44pcs</p> 	<p>Ⓕ Nut=4pcs</p> 	<p>Ⓖ SpringWasher=20pcs</p> 	<p>Ⓗ screw 10mmX1-1/4" =24pcs</p> 

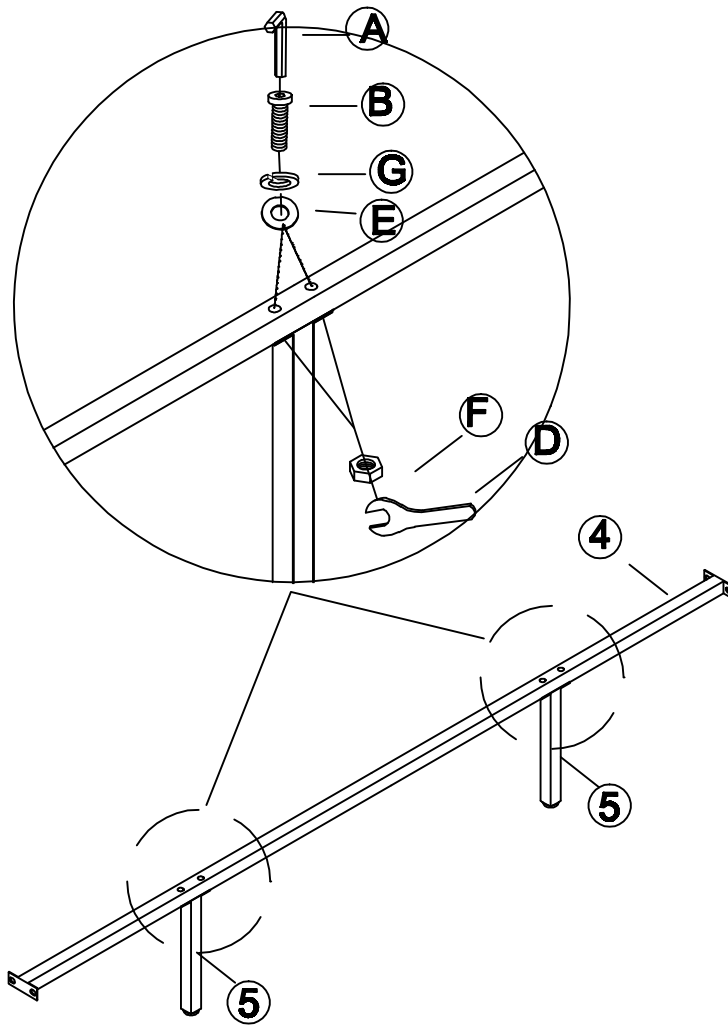
**STEP 1**



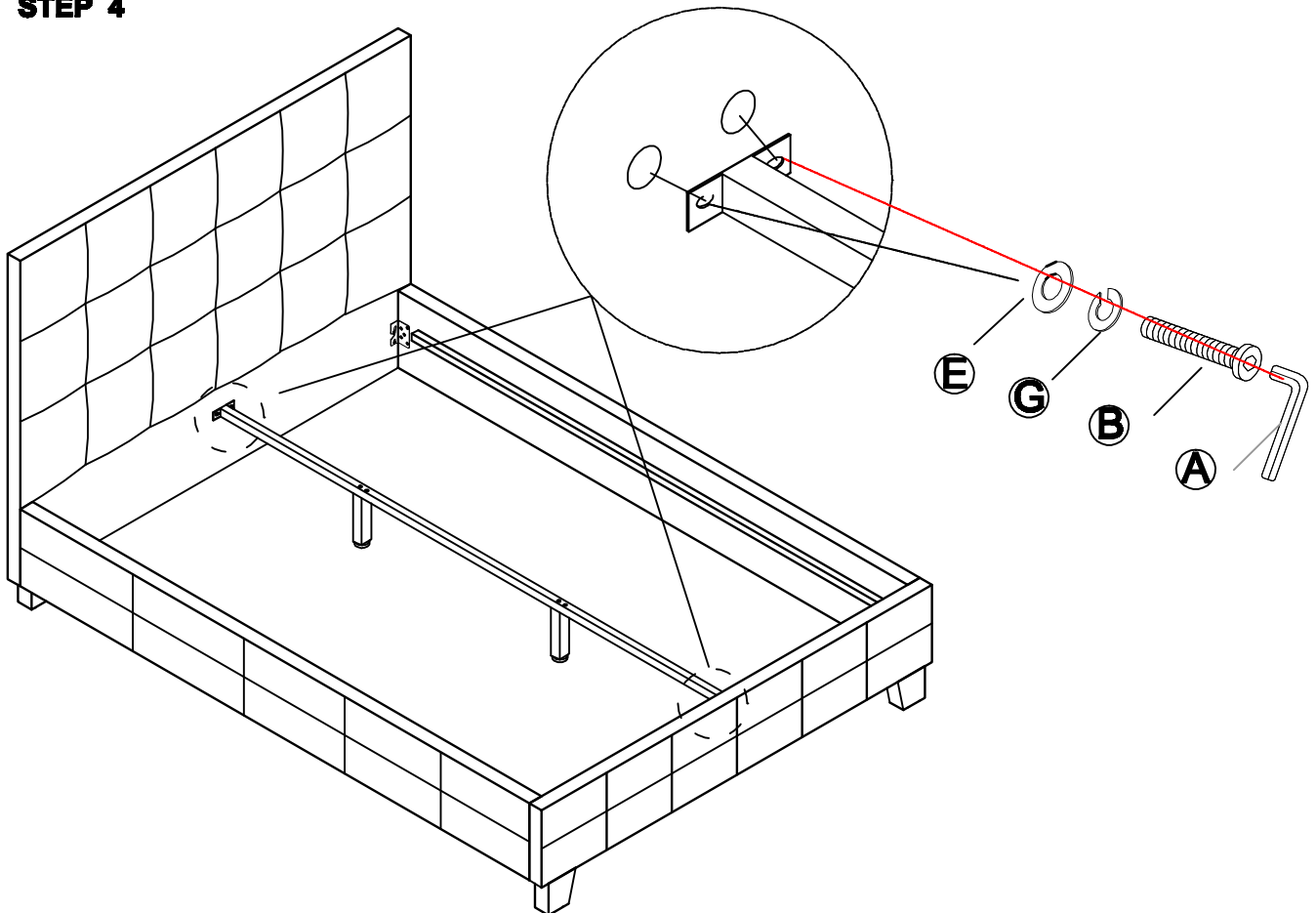
**STEP 2**



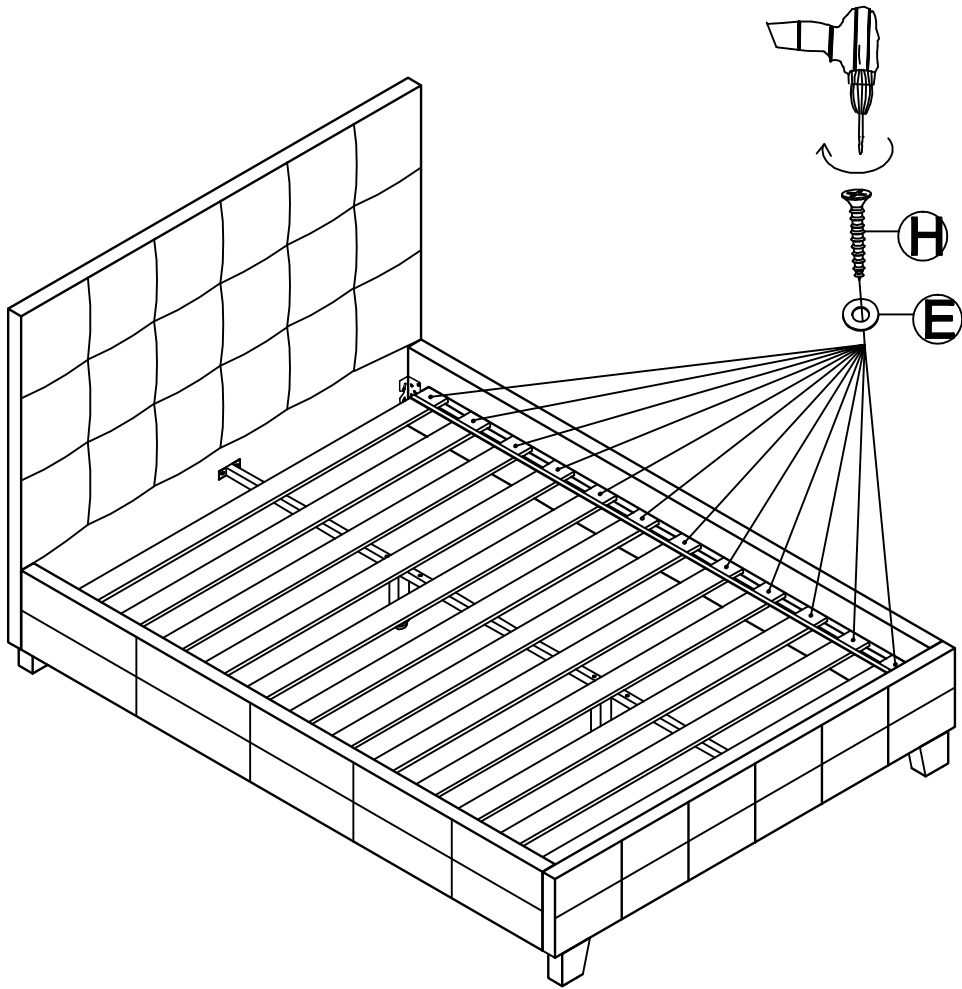
**STEP 3**



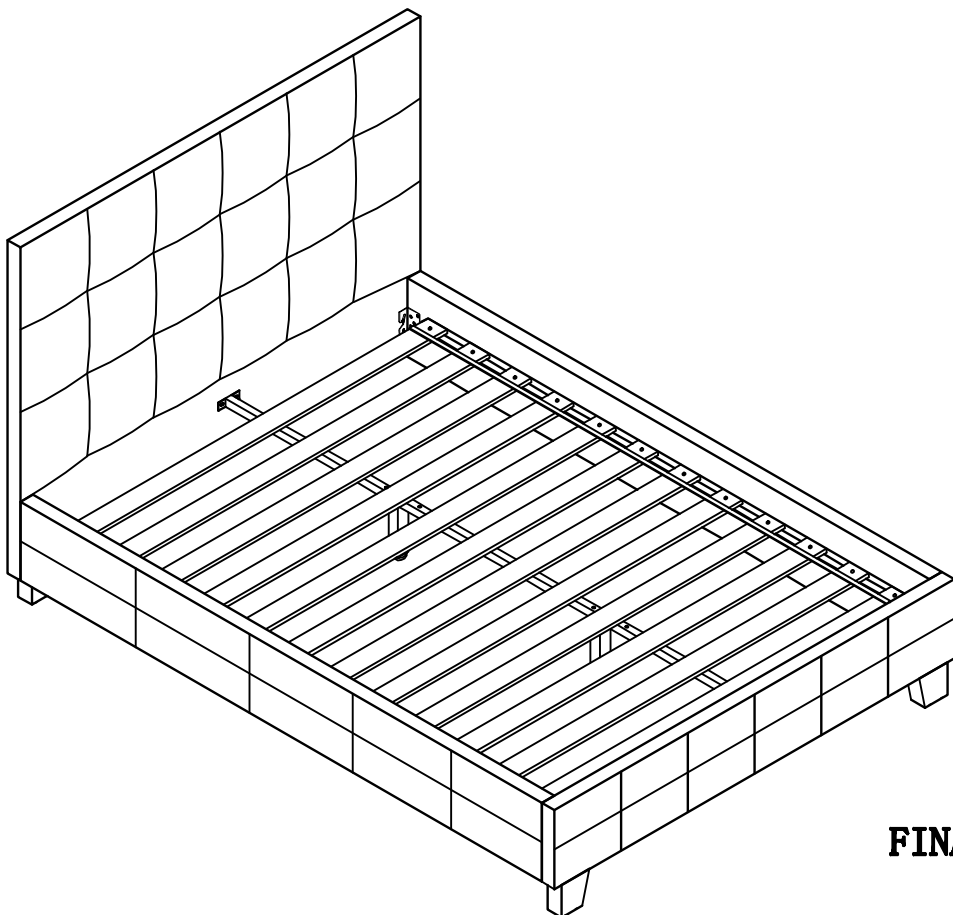
**STEP 4**



**STEP 5**



**STEP 6**



**FINAL**