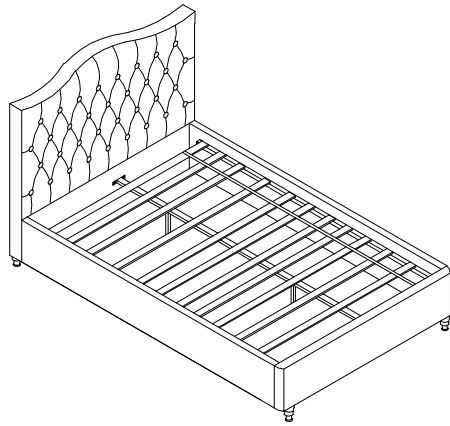
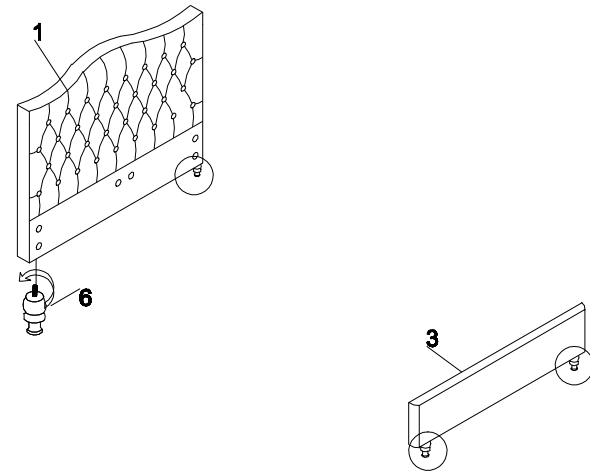


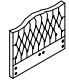
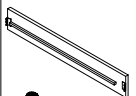
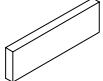

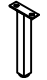


**ASSEMBLY INSTRUCTIONS**  
**ITEM NO: BED828-QUEEN**



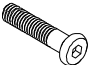







Step:1



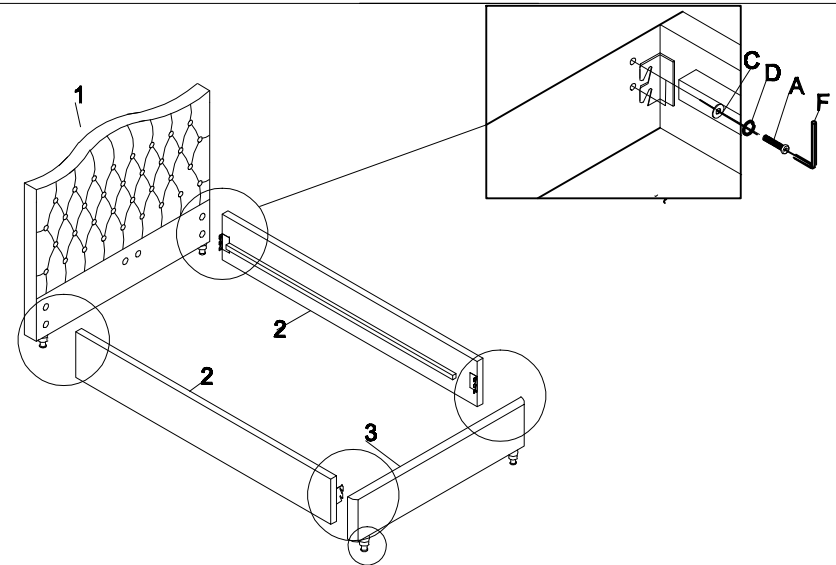
**PARTS LIST**

 <b>1 Headboard</b> 1 pc	 <b>2 Side rail</b> 2PCS	 <b>3 Footboard</b> 1PC	 <b>4 Center bar</b> 1PC	 <b>5 Supporting leg</b> 2PCS
 <b>6 Wood leg</b> 4 PCS	 <b>7 Slats</b> 1PC			

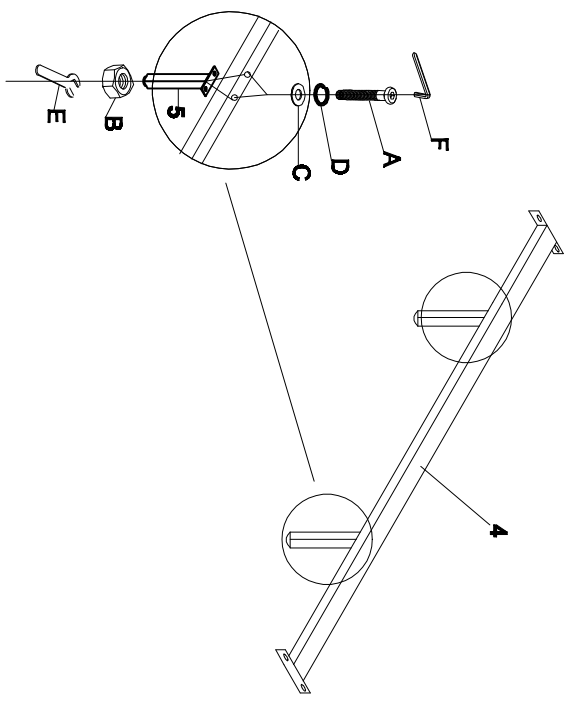
**HARDWARE LIST**

 <b>Bolt</b> <b>A 5/16" * 1-1/2"</b> 16 PCS	 <b>Nut</b> <b>B 5/16" * 12mm</b> 4 PCS	 <b>Flat washer</b> <b>C 16 PCS</b>	 <b>Spring washer</b> <b>D 16 PCS</b>	 <b>E Box wrench</b> 1PC
 <b>F Allen wrench</b> 1PC	 <b>G Driver</b> 24PCS	 1PC		

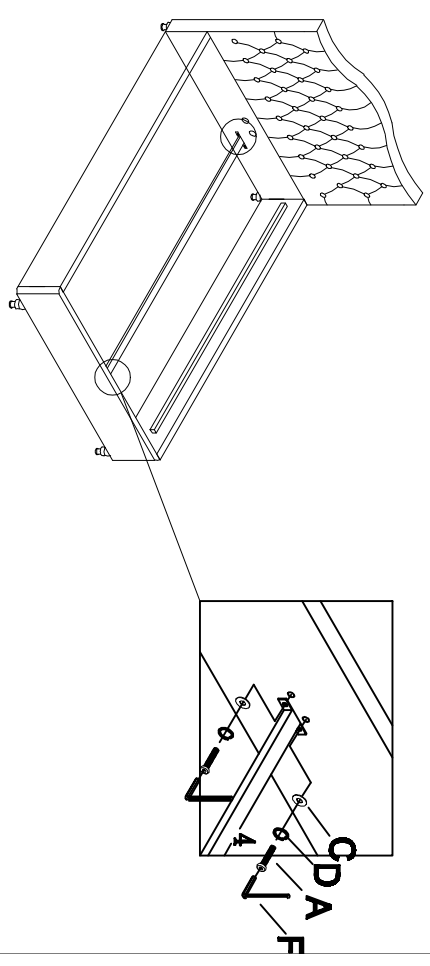
Step:2



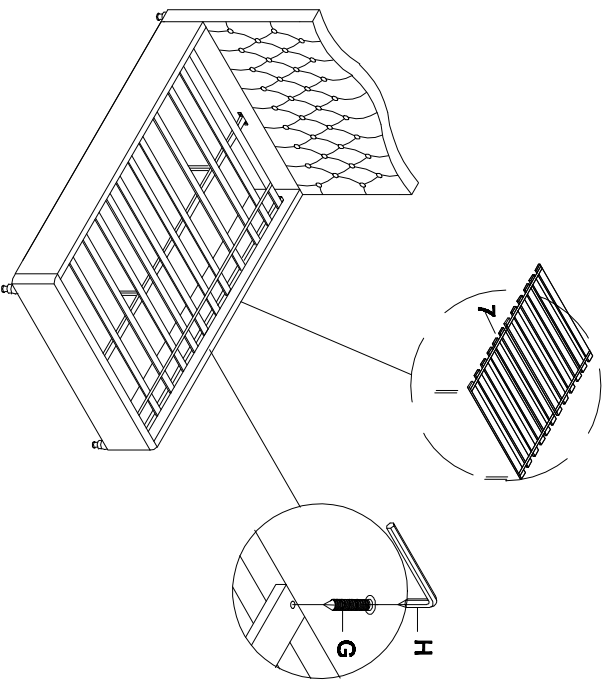
Step:3



Step:4



Step:5



Step:6

