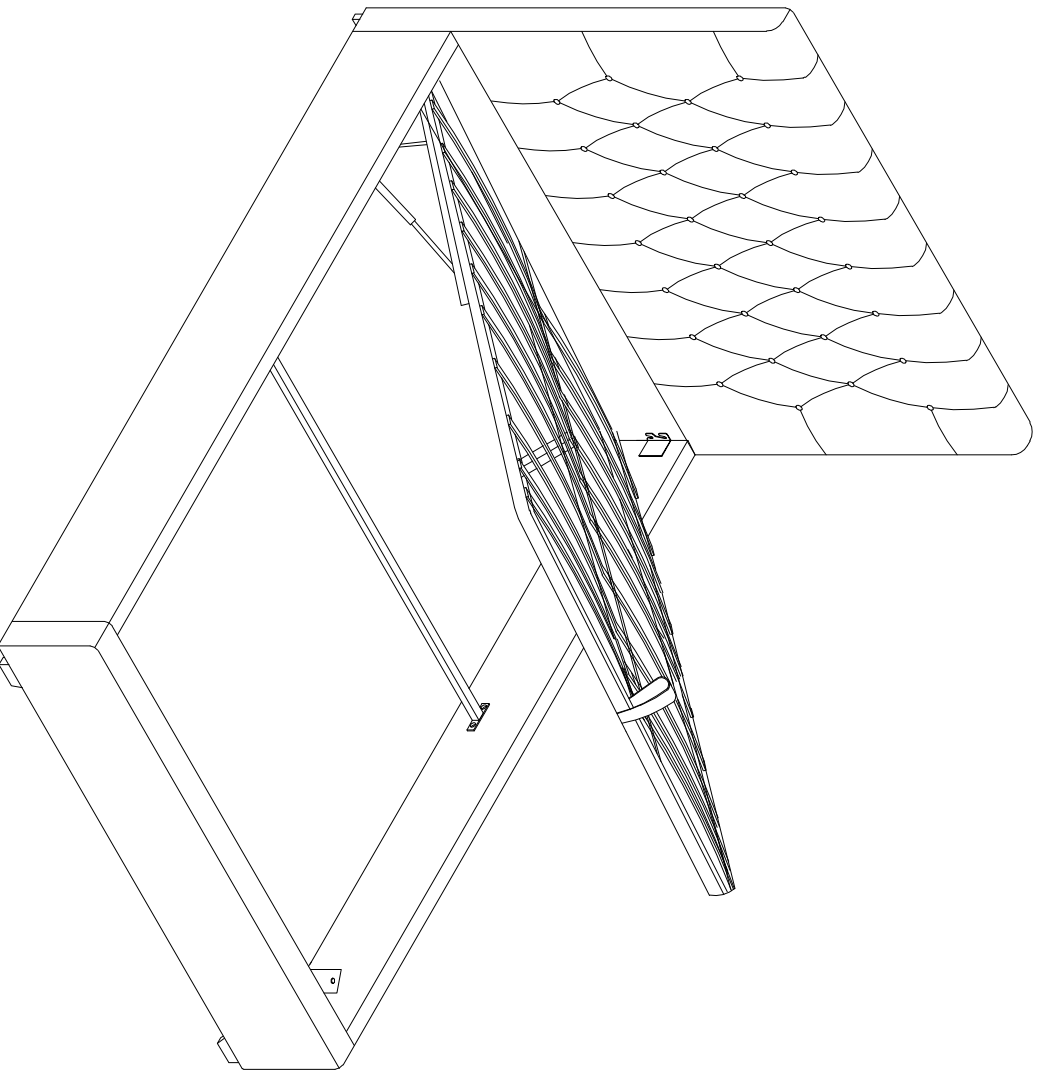


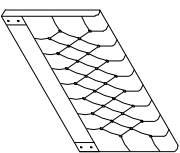
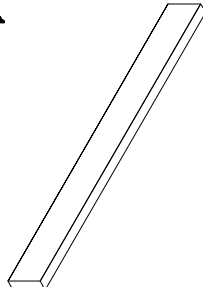
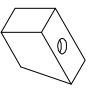
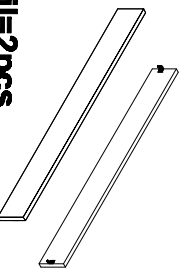
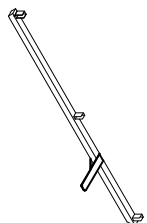
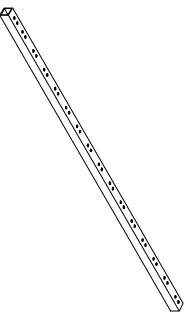
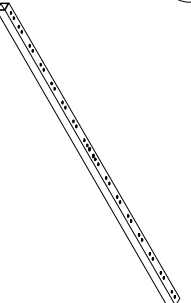
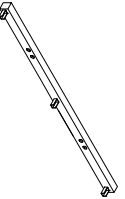
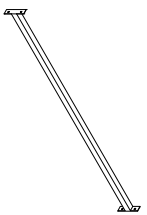
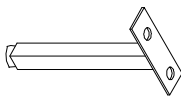
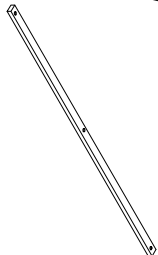

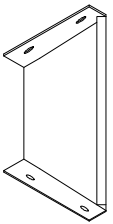
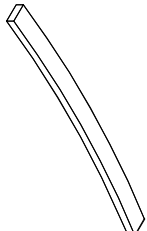
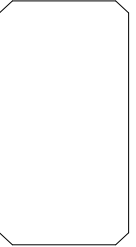
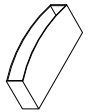
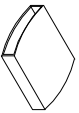
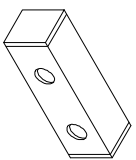
# Assembly Instruction

ITEM NO.: BED1974 - QUEEN/FULL












**IMPORTANT:** PLACE ALL PARTS ON A CLEAN AND SMOOTH SURFACE SUCH AS A RUG OR CARPETTO AVOID THE PARTS FROM BEING SCRATCHED KINDLY FOLLOW THE ASSEMBLY INSTRUCTIONS STEP DO NOT TIGHTEN ALL SCREWS UNTIL THE BED IS FULLY SET-UP

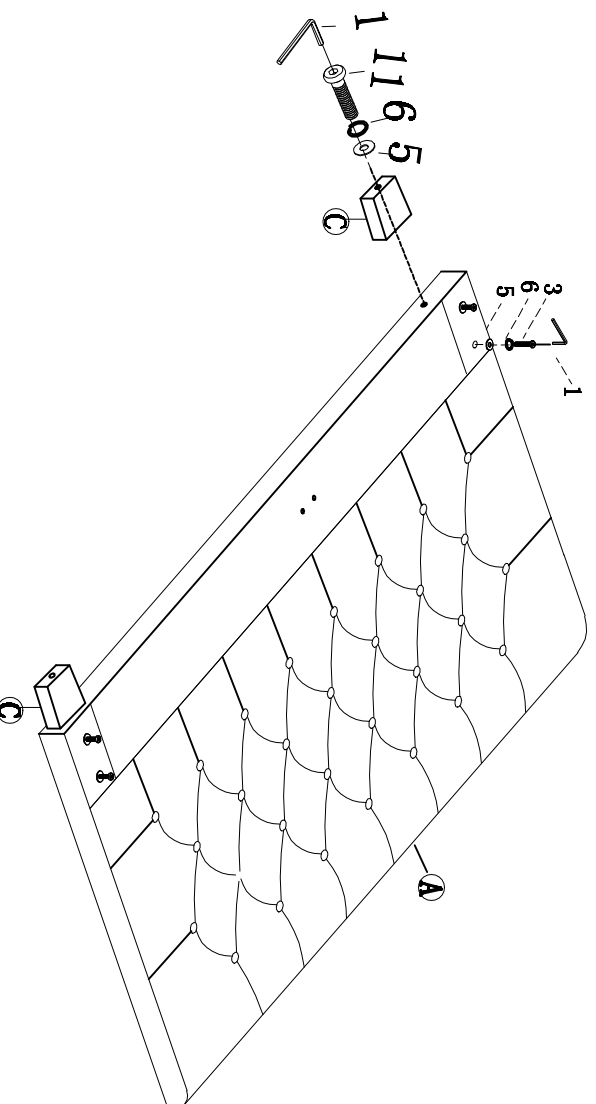


**PARTS LIST:**

<p><b>(A)</b></p>  <p><b>Headboard=1pc</b></p>	<p><b>(B)</b></p>  <p><b>Footboard=1pc</b></p>	<p><b>(C)</b></p>  <p><b>LEG = 4PCS</b></p>
<p><b>(D)</b></p>  <p><b>Siderail=2pcs</b></p>	<p><b>(E)</b></p>  <p><b>Support block on footboard=1PC</b></p>	<p><b>(F)</b></p>  <p><b>Metal side support rail=2PCS</b></p>
<p><b>(G)</b></p>  <p><b>Centre rail=1PC</b></p>	<p><b>(H)</b></p>  <p><b>Support block on headboard=1PC</b></p>	<p><b>(I)</b></p>  <p><b>Metal Centre cross rail=1PC</b></p>
<p><b>(J)</b></p>  <p><b>Centre support leg=1PC</b></p>	<p><b>(K)</b></p>  <p><b>Metal Centre cross rail=1PC</b></p>	<p><b>(L)</b></p>  <p><b>Metal block=2PCS</b></p>
<p><b>(M)</b></p>  <p><b>Metal corner block=2PCS</b></p>	<p><b>(N)</b></p>  <p><b>slat=24PCS</b></p>	<p><b>(O)</b></p>  <p><b>Non-woven fabric=1PC</b></p>
<p><b>(P)</b></p>  <p><b>End cap=24PCS</b></p>	<p><b>(Q)</b></p>  <p><b>Center plastic connector=12PCS</b></p>	<p><b>(R)</b></p>  <p><b>Buse support=2PCS</b></p>

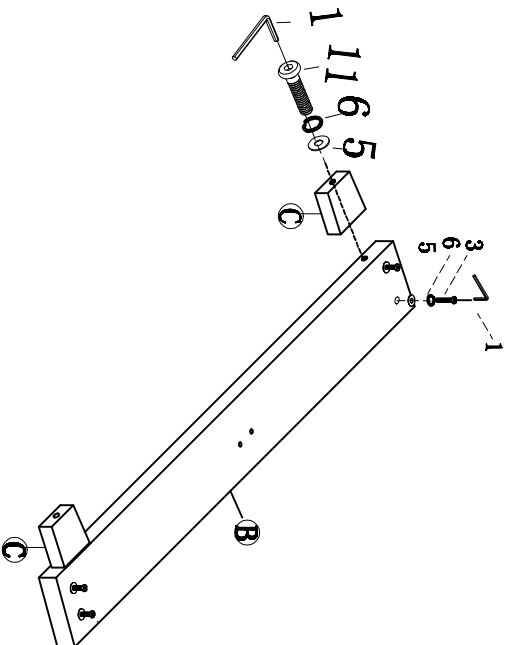
# HARDWARE LIST:

<p><b>1</b> Allen Key <math>\varnothing 5/16"</math> = 1pc</p> 	<p><b>2</b> Bolt <math>\varnothing 5/16" \times 3/4"</math> = 24 pcs</p> 	<p><b>3</b> Bolt <math>\varnothing 5/16" \times 1-1/2"</math> = 8 pcs</p> 
<p><b>4</b> Bolt <math>\varnothing 5/16" \times 2"</math> = 10 pcs</p> 	<p><b>5</b> Flat Washer <math>\varnothing 5/16" \times \varnothing 19\text{mm}</math> = 5 pcs</p> 	<p><b>6</b> Spring Washer = 5 pcs</p> 
<p><b>7</b> Nut = 6 pcs</p> 	<p><b>8</b> Wrench = 1 pc</p> 	<p><b>9</b> Nut = 2 pcs</p> 
<p><b>10</b> Bolt <math>\varnothing 5/16" \times 1"</math> = 8 pcs</p> 	<p><b>11</b> Bolt <math>\varnothing 5/16" \times 3/1"</math> = 4 pcs</p> 	

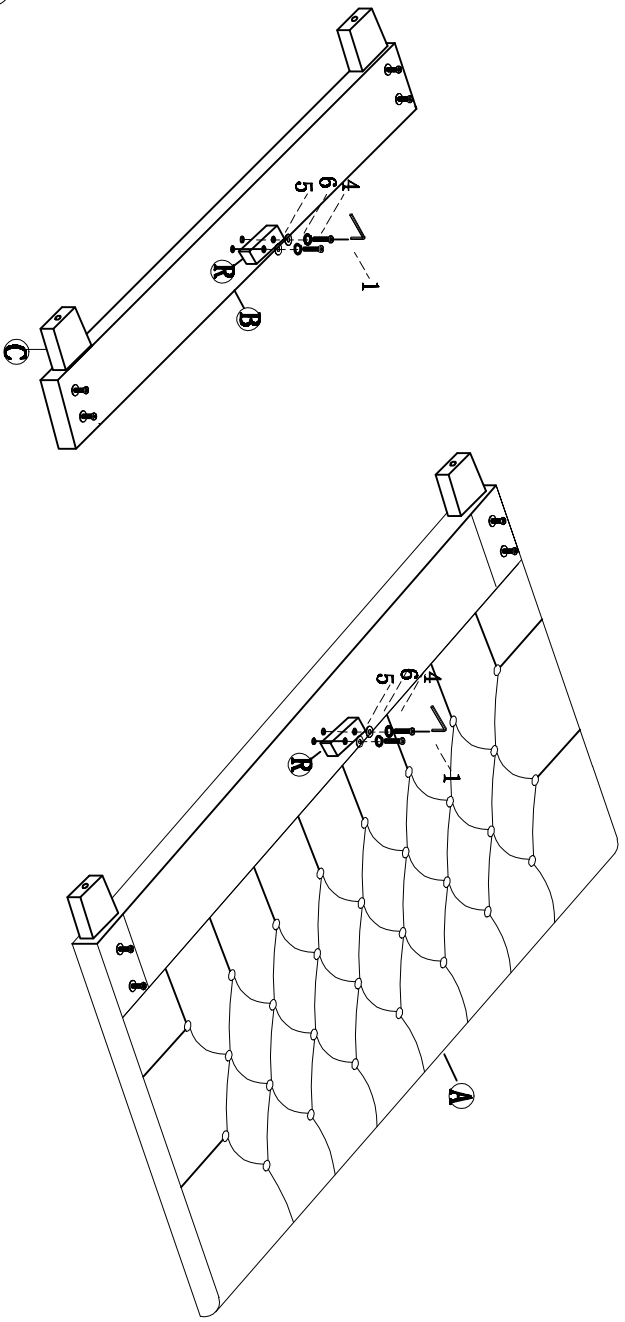


step 1

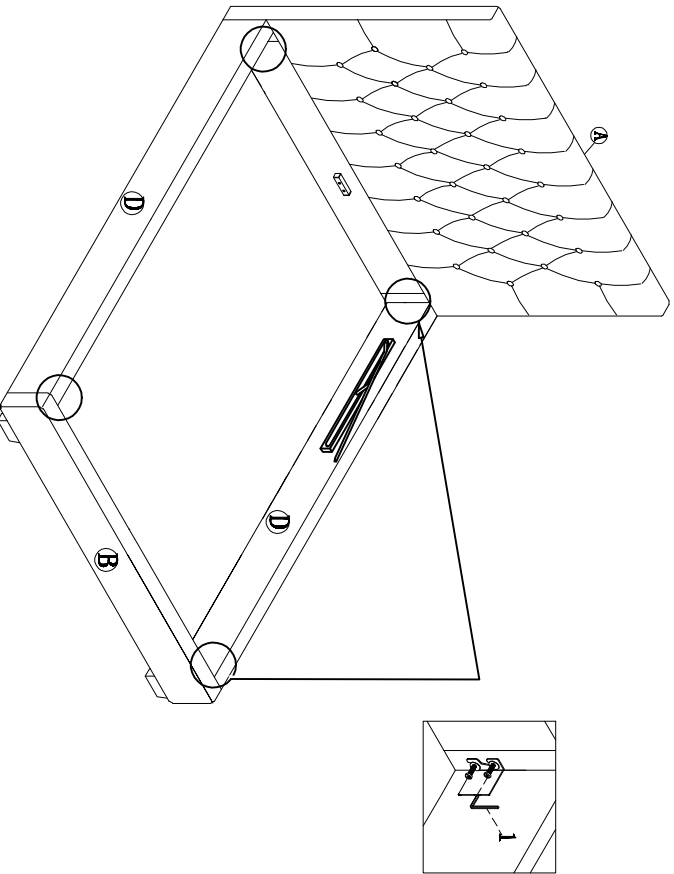
step 2



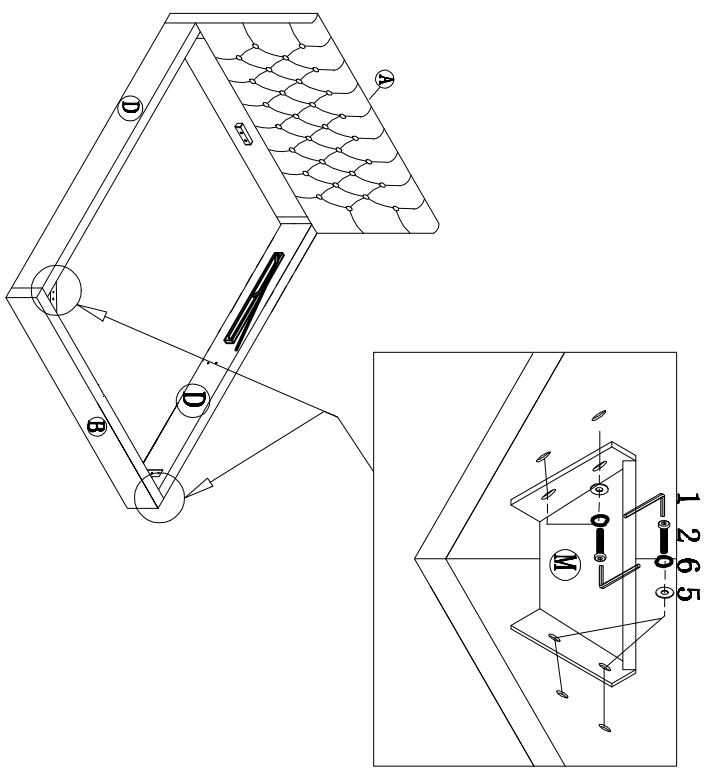
step 3



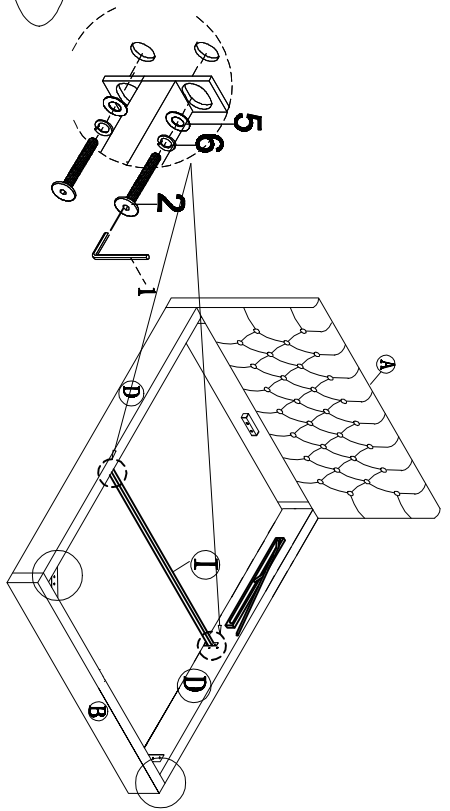
step 4



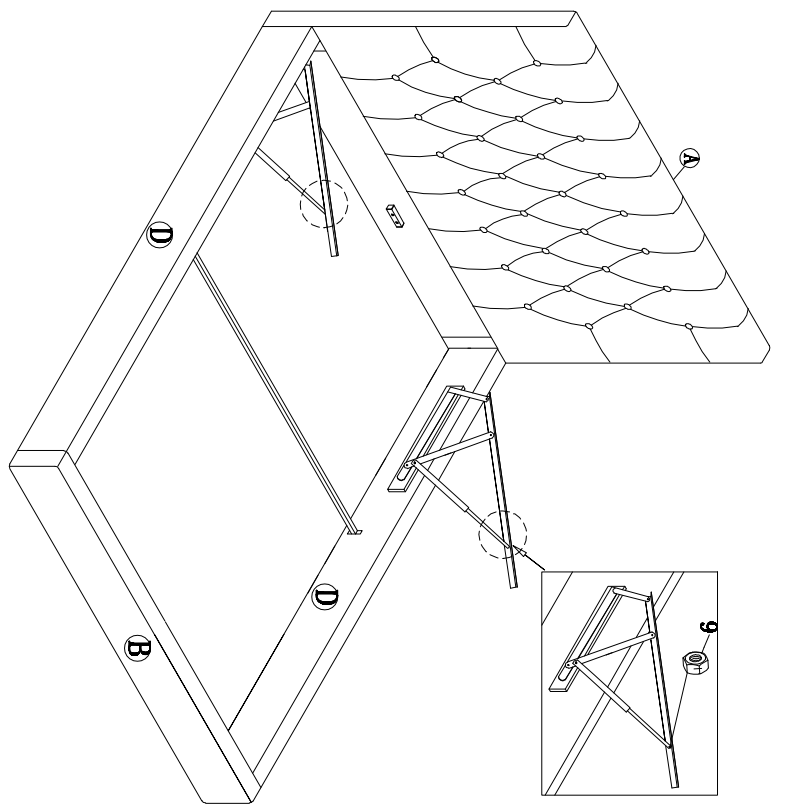
step 5

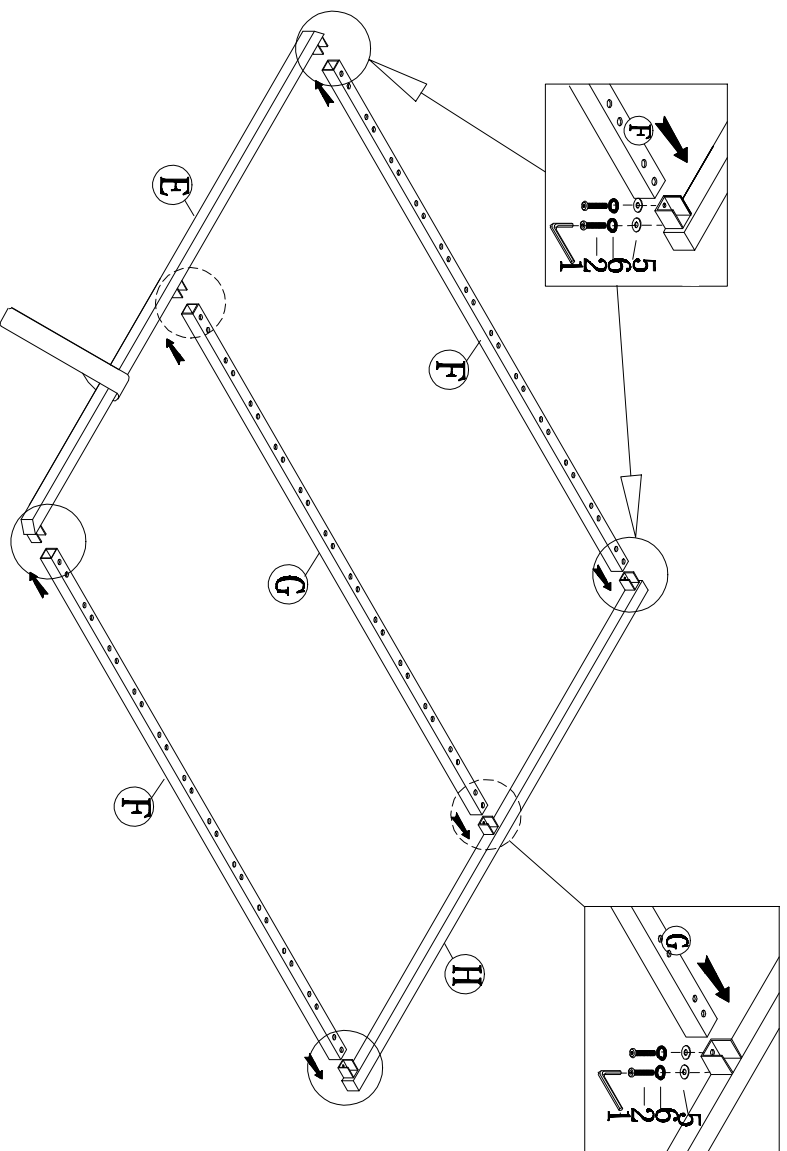


step 6

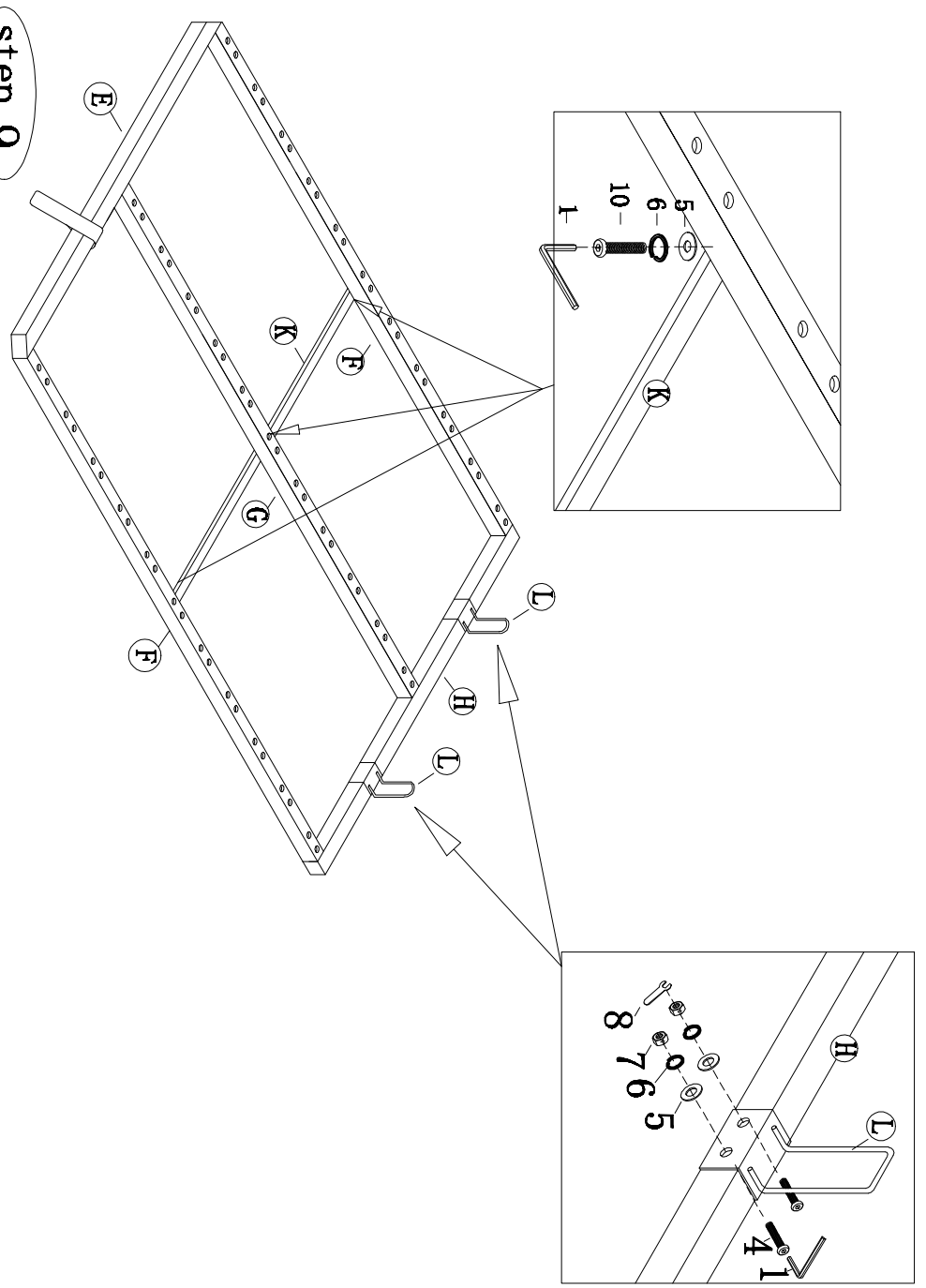


step 7

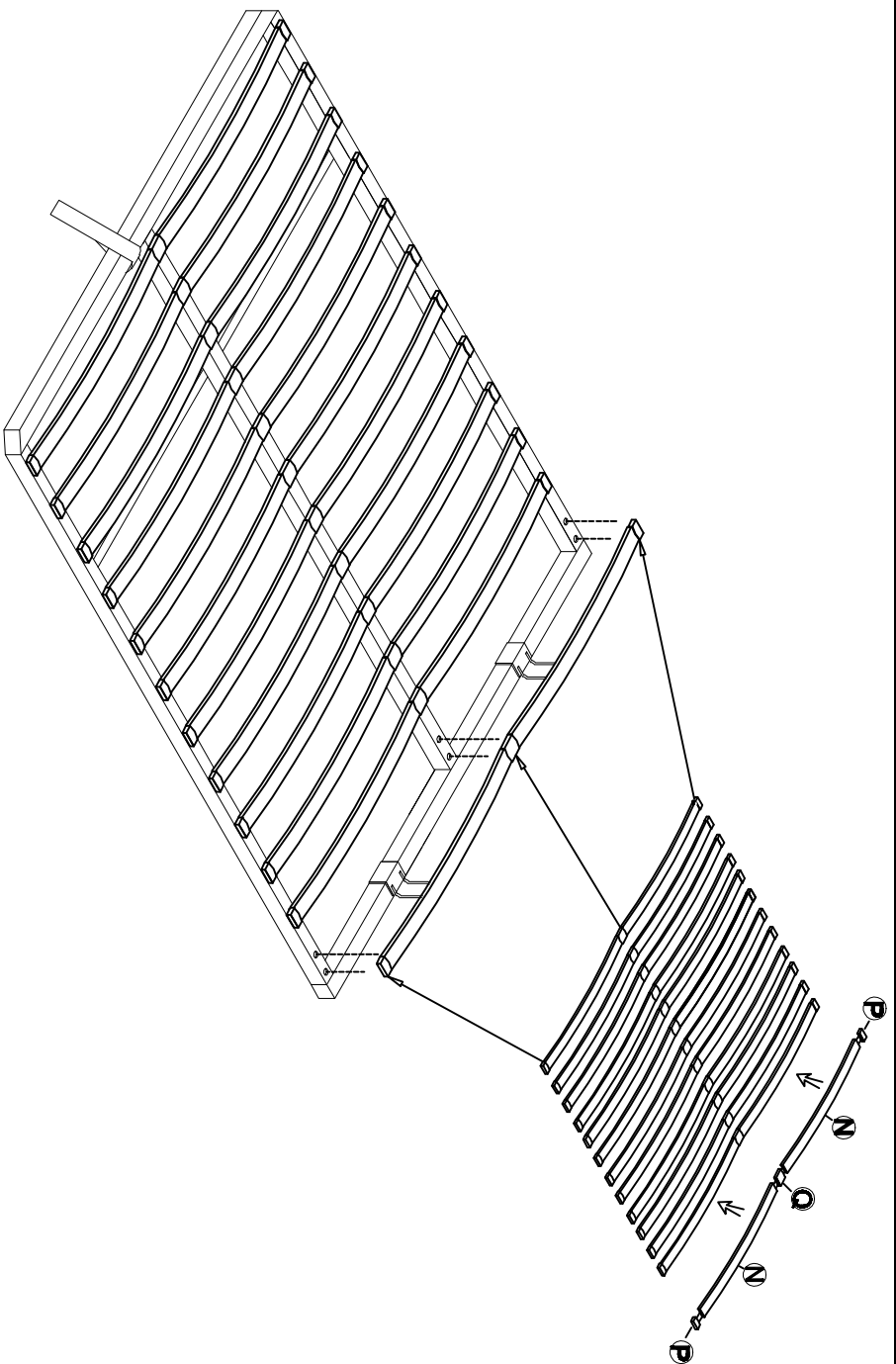




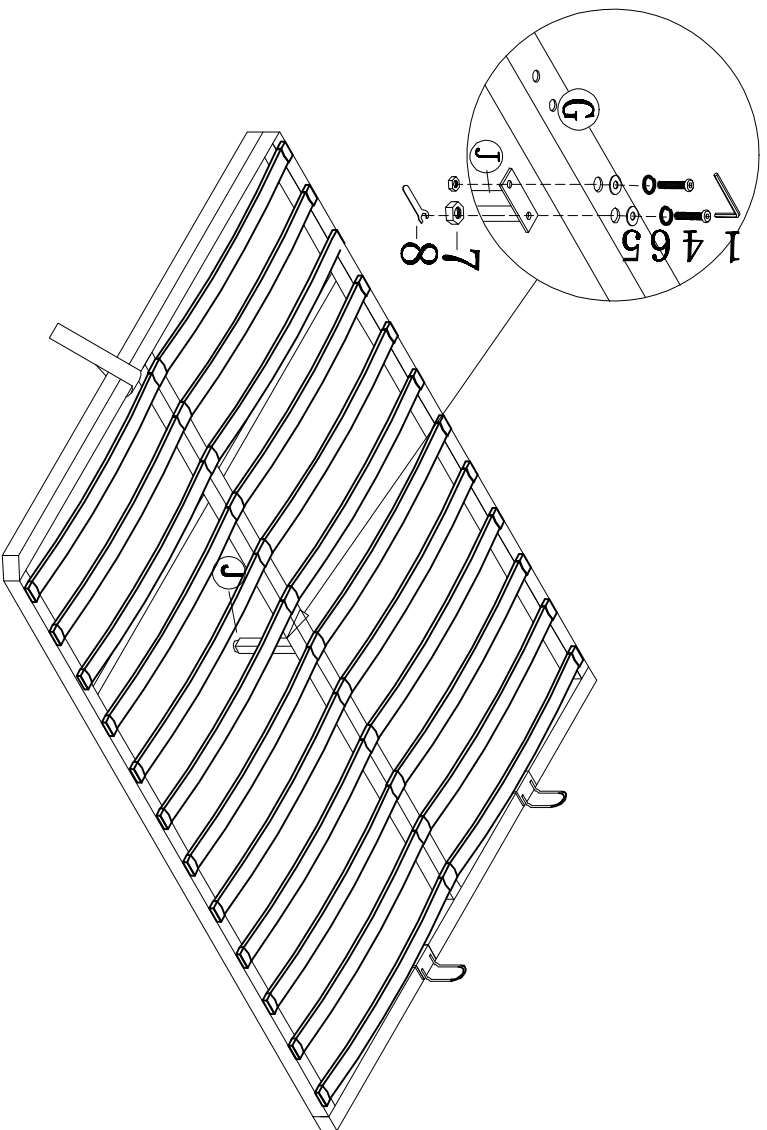
step 8



step 9

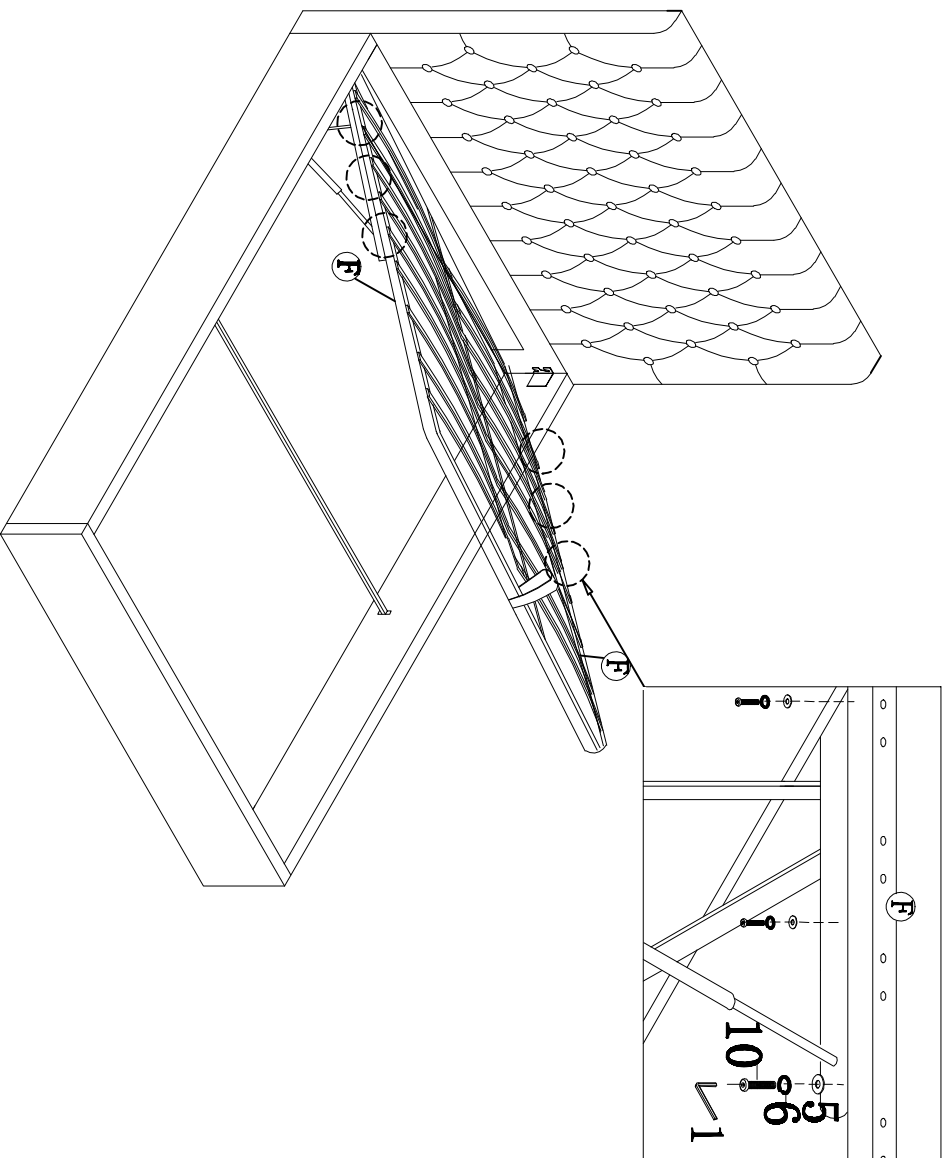


step 10



step 11

step 12



step 13

