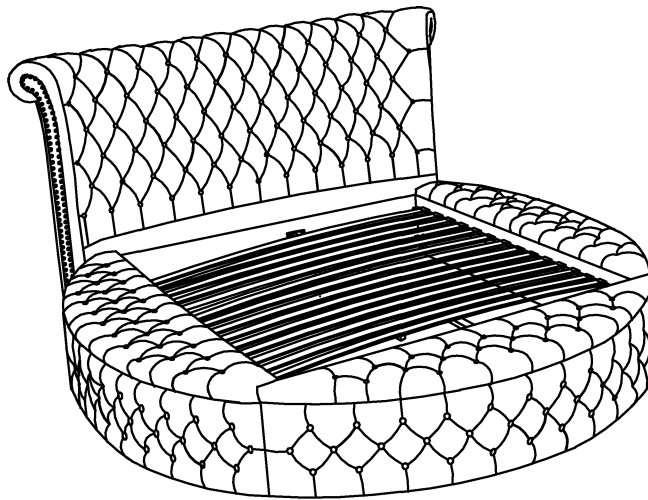


# ASSEMBLY INSTRUCTION



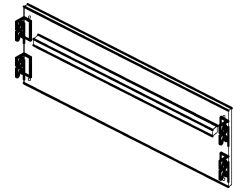
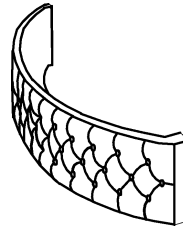
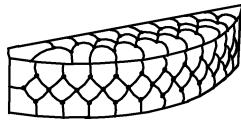
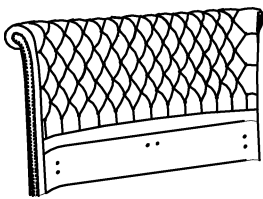
## PARTS LIST

①-Head Board(1pc)

②-Foot Board (1pc)

③-Side Rails (2pcs)

④-Side Rails (2pcs)



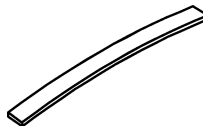
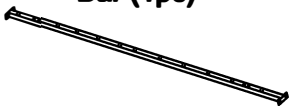
⑤-Center Support Bar (1pc)

⑥-Support Legs(2pcs)

⑦-Slats(14pcs)

⑧-Single Plastic cap (28pcs)

⑨ -Wooden blocker (4pcs)

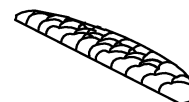


⑩ -Bracket (4pcs)

⑪ -Middle support board (2pcs)

⑫ -Side bottom board (2pcs)

⑬ -Side top board (2pcs)



## HARDWARE LIST

A Bolt M8\*40mm 18pcs

B Bolt M8\*25mm 4pcs

C Bolt M8\*50mm 16pcs

D Spring Washer 16pcs



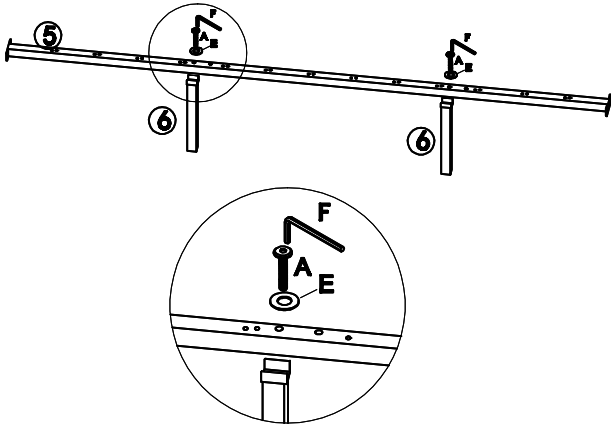
E Flat Washer  $\phi 20$  50pcs

F M8 Allen Key 1pc

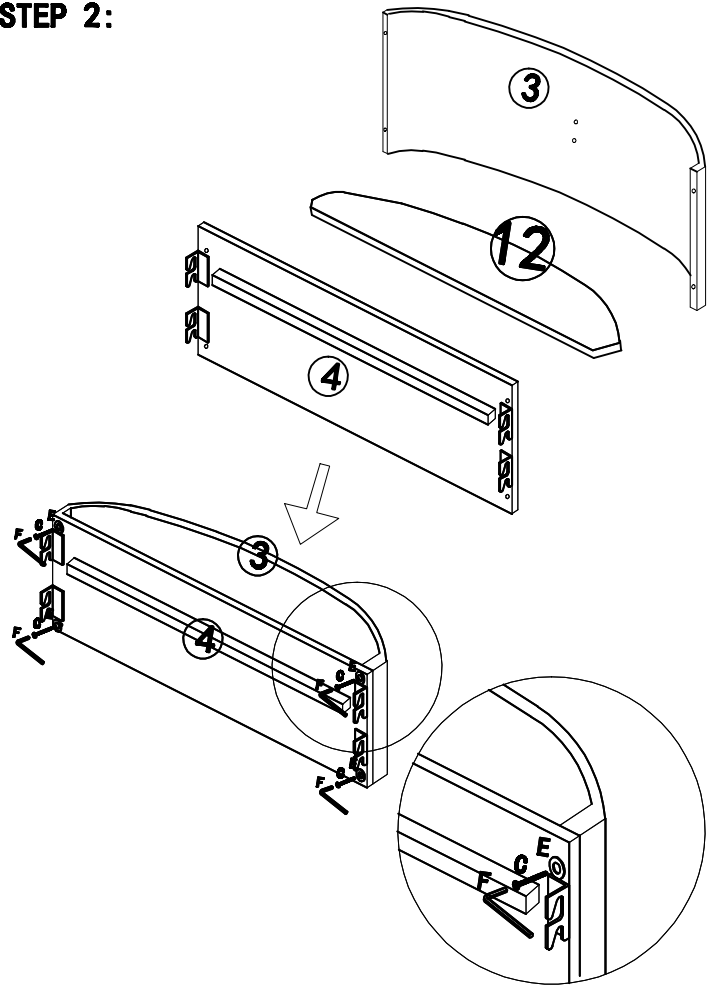
G Bolt M8\*20mm 16pcs



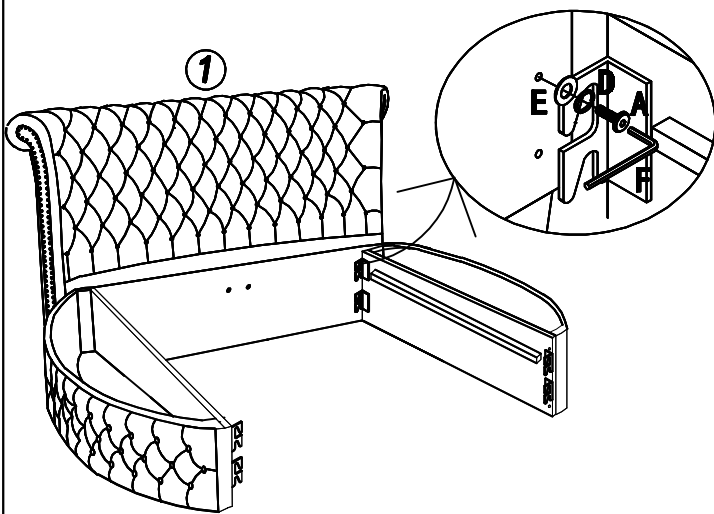
**STEP 1:**



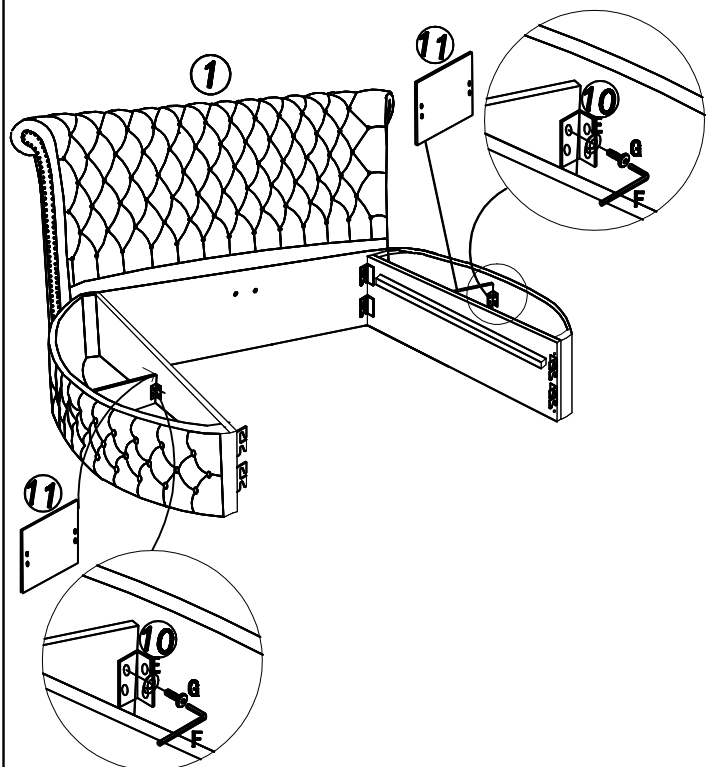
**STEP 2:**



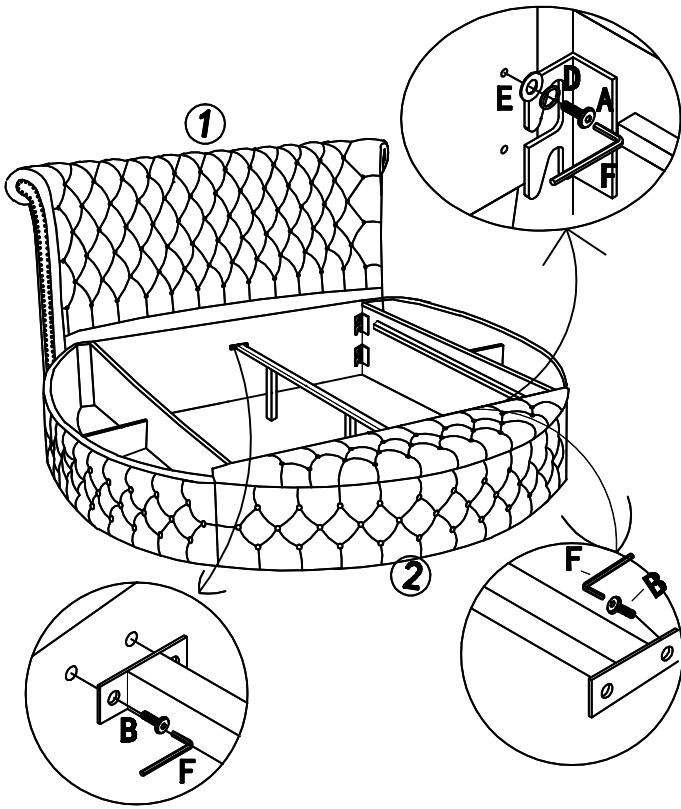
**STEP 3:**



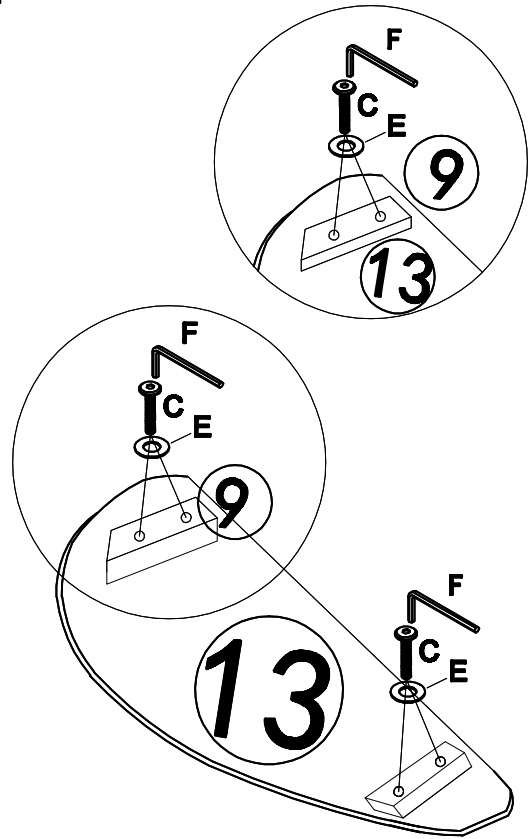
**STEP 4:**



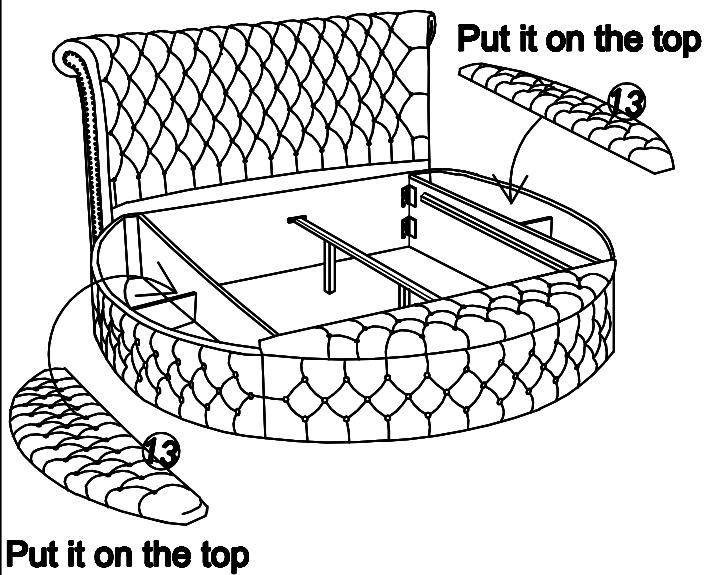
**STEP 5:**



**STEP 6:**



**STEP 7:**



**STEP 8:**

