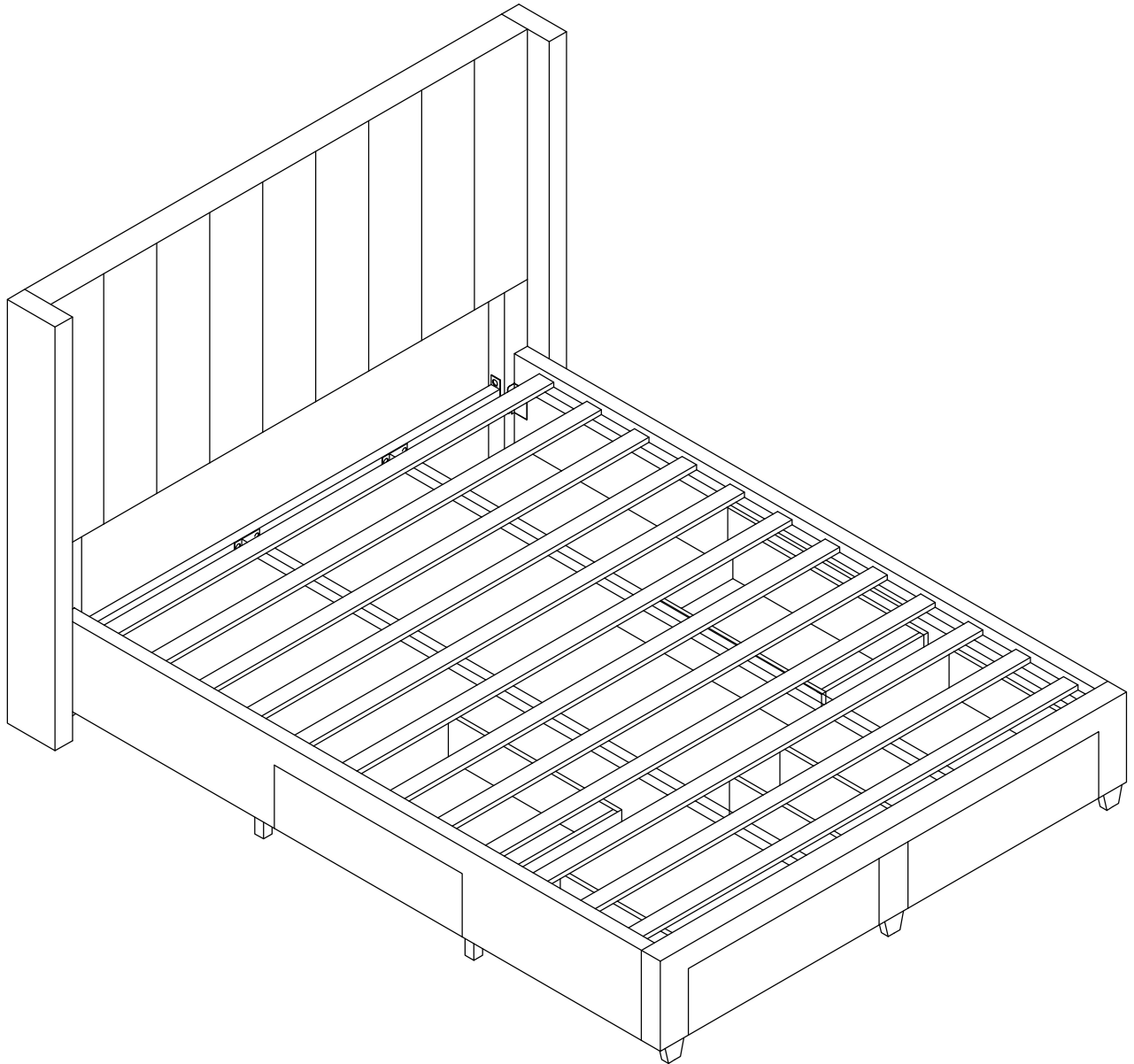


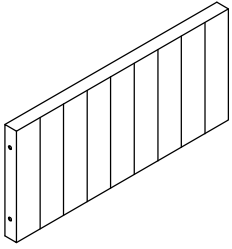
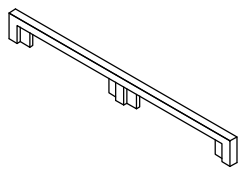
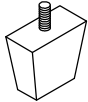
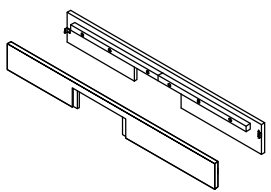
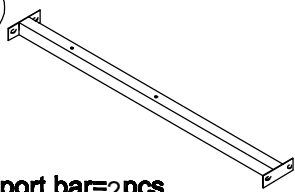

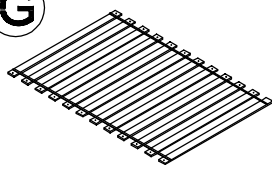

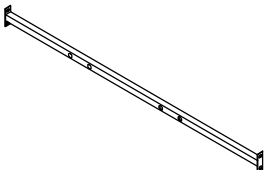
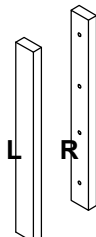
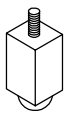

Assembly Instruction

ITEM NO.: BEDHH221- KING


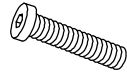
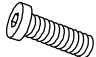
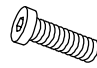


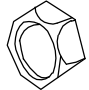

IMPORTANT: PLACE ALL PARTS ON A CLEAN AND SMOOTH SURFACE SUCH AS A RUG OR CARPETTO AVOID THE PARTS FROM BEING SCRATCHED KINDLY FOLLOW THE ASSEMBLY INSTRUCTIONS STEP DO NOT TIGHTEN ALL SCREWS UNTIL THE BED IS FULLY SET-UP



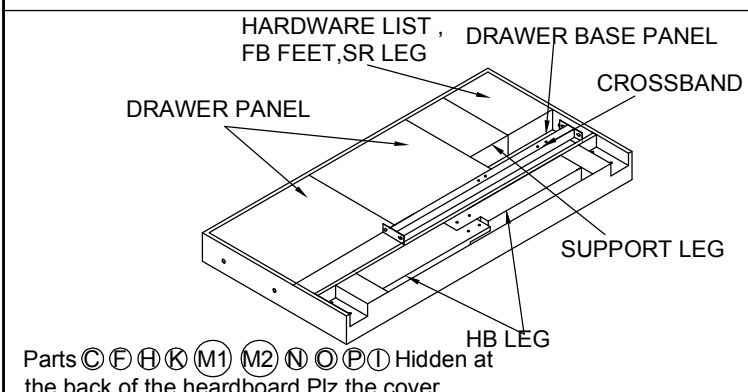
PARTS LIST:

<p>(A)</p>  <p>Headboard=1pc</p>	<p>(B)</p>  <p>Footboard=1pc</p>	<p>(C)</p>  <p>FB Feet=3pcs</p>	<p>(D)</p>  <p>Siderail=2pcs</p>
<p>(E)</p>  <p>Support bar=2pcs</p>	<p>(F)</p>  <p>Support leg=4pcs</p>	<p>(G)</p>  <p>Slats=1units</p>	<p>(H)</p>  <p>HB legs=2pcs</p>
<p>(I)</p>  <p>Crossband=1pc</p>	<p>(J)</p>  <p>Wing back L&R=2pcs</p>	<p>(K)</p>  <p>SR legs=4pcs</p>	<p>(L)</p>  <p>Fabric Base = 1PC</p>

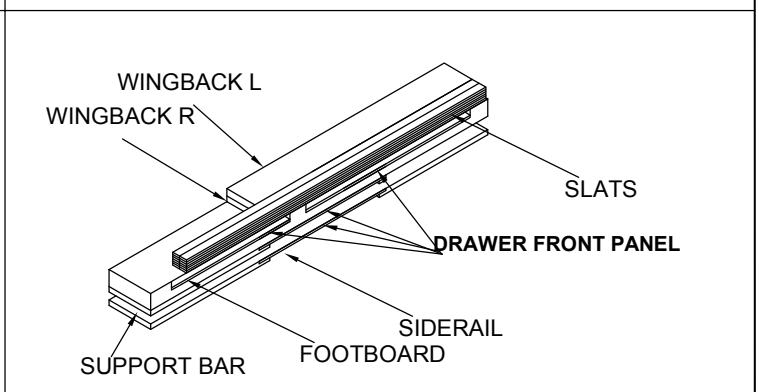
HARDWARE LIST:

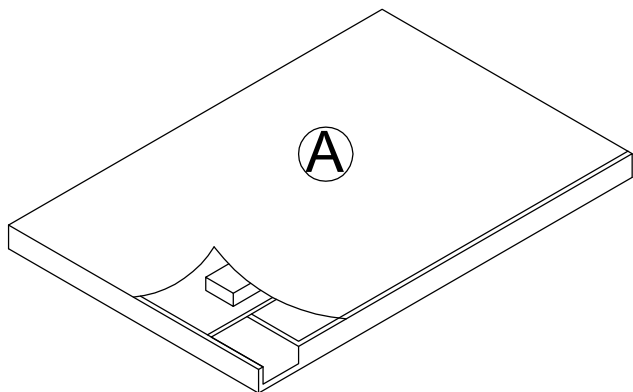
<p>1 Allen Key $\varnothing 5/16"$ = 1pc</p> 	<p>2 Bolt $\varnothing 5/16"$ X 2" L = 16pcs</p> 	<p>3 Bolt $\varnothing 5/16"$ X 1-1/2" L = 16pcs</p> 
<p>4 Bolt $\varnothing 5/16"$ X 4" L = 2 pcs</p> 	<p>5 Flat Washer $\varnothing 5/16"$ X $\varnothing 19$mm = 62pcs</p> 	<p>6 Screw 10mm X 1-1/4" L = 24pcs</p> 
<p>7 Nut = 4pcs</p> 	<p>8 Wrench = 1pc</p> 	

BOX 1/2 CONTENTS:



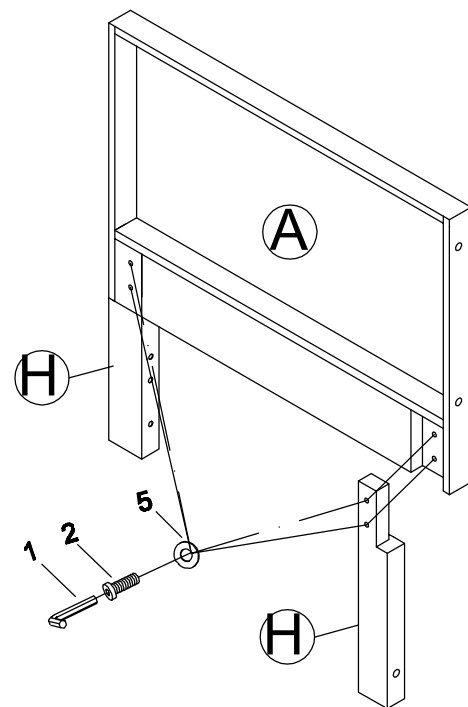
BOX 2/2 CONTENTS:





HB LEGS, HARDWARES(2 PACKAGES), SUPPORT LEGS,CROSSBAND, SR LEGS , FB FEET , M1,M2,N,O,P HIDDEN AT THE BACK OF THE HEADBOARD, PLZ LIFT THE COVER, AND TAKE OUT ALL OF THE COMPONENTS.

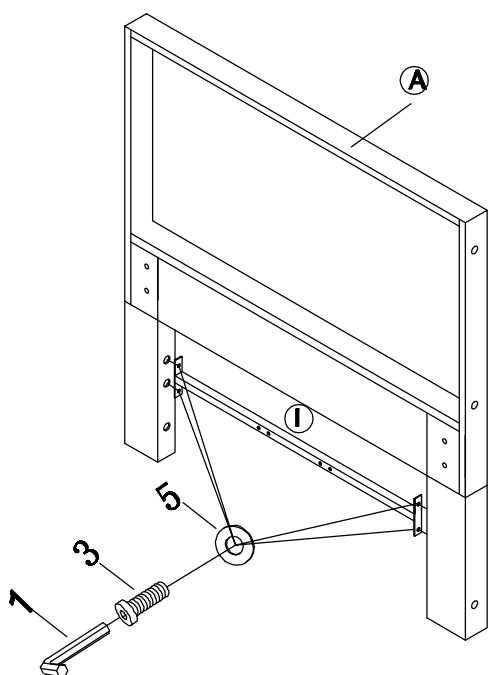
step 1



step 2

Bolt (2)
4pcs

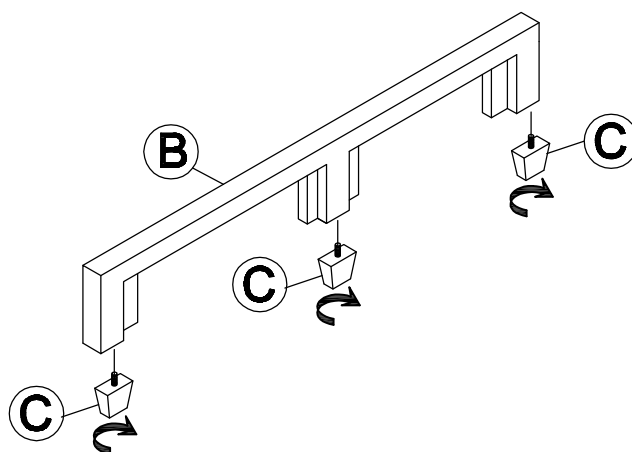
Washer (5)
4pcs



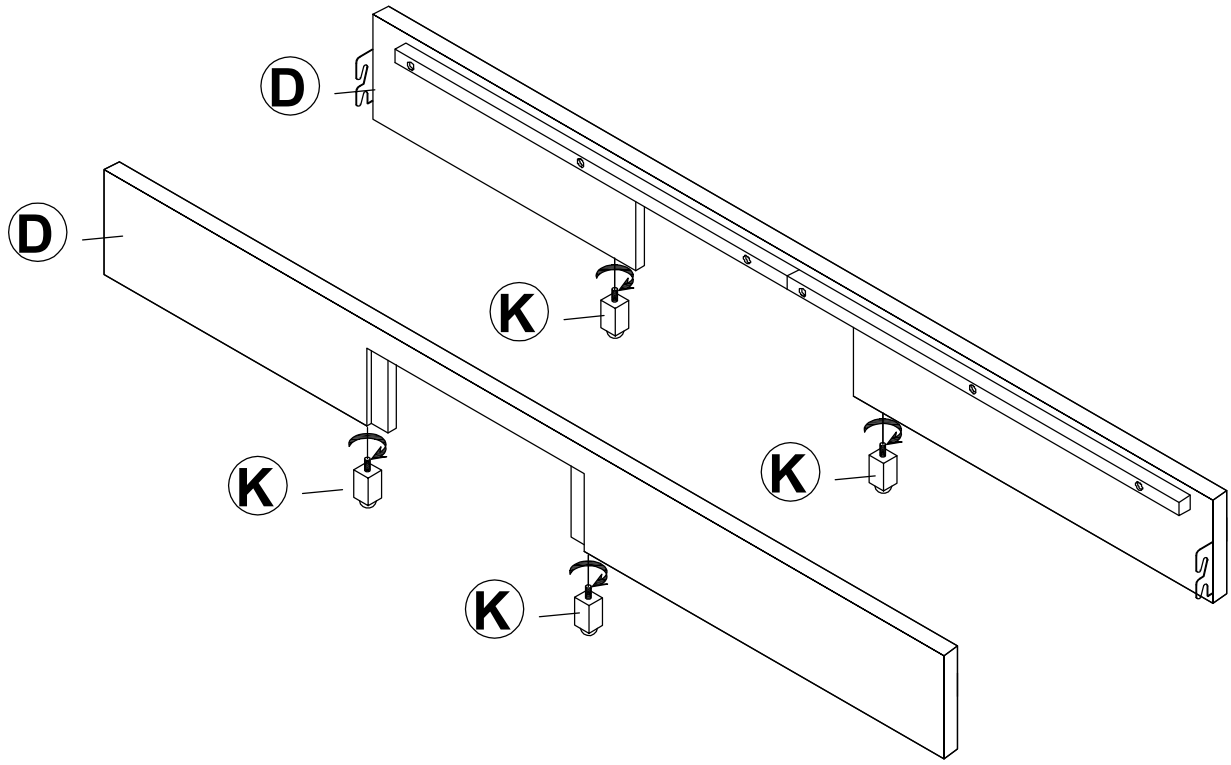
step 3

Bolt (3)
4pcs

Washer (5)
4pcs

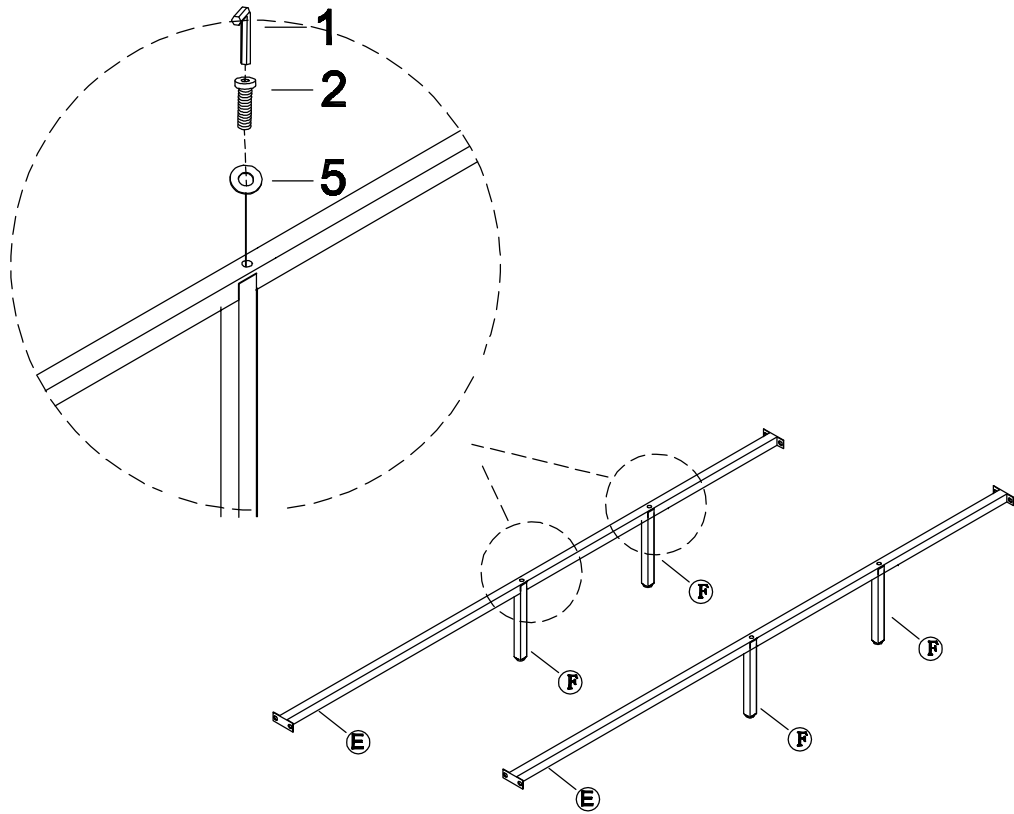


step 4



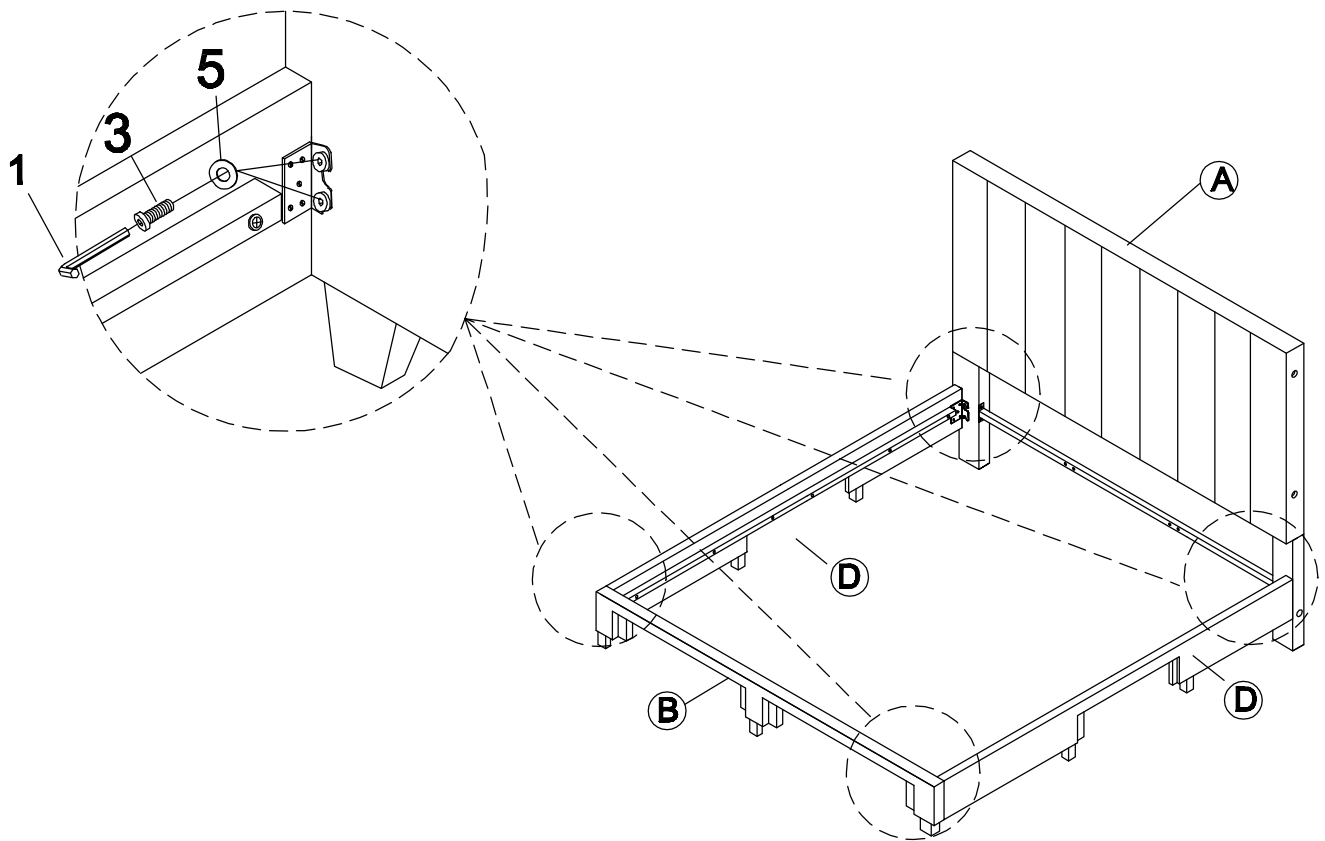
step 5

Part (K)
4pcs



step 6

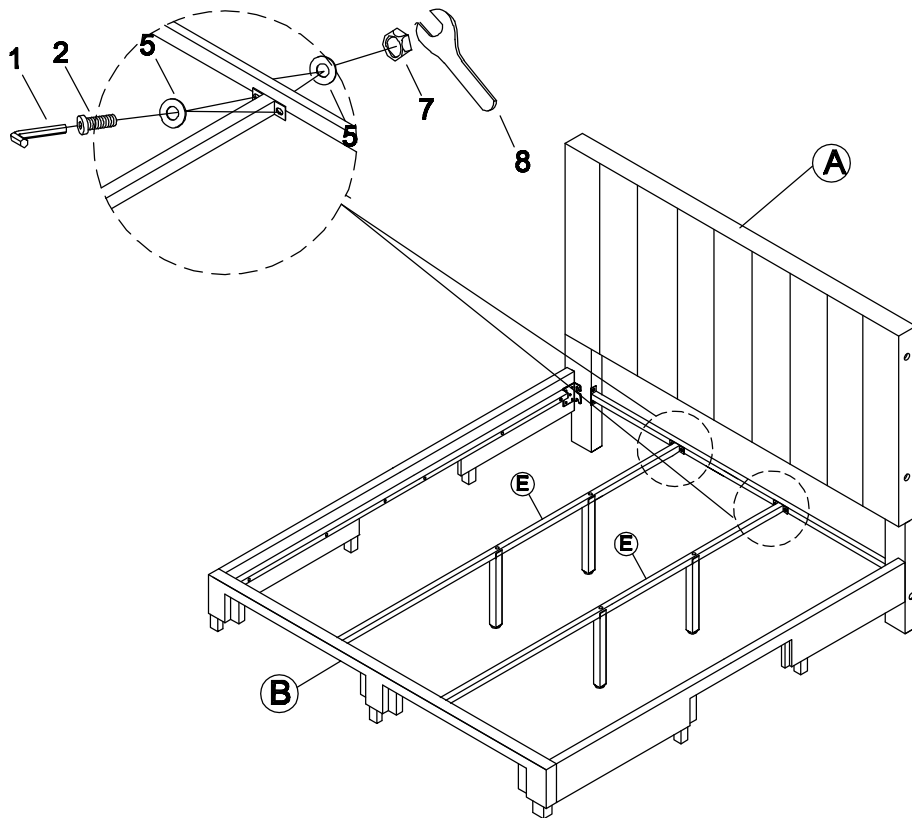
Bolt (2) 4pcs	Washer (5) 4pcs
------------------	--------------------



step 7

Bolt (3)
8pcs

Washer (5)
8pcs

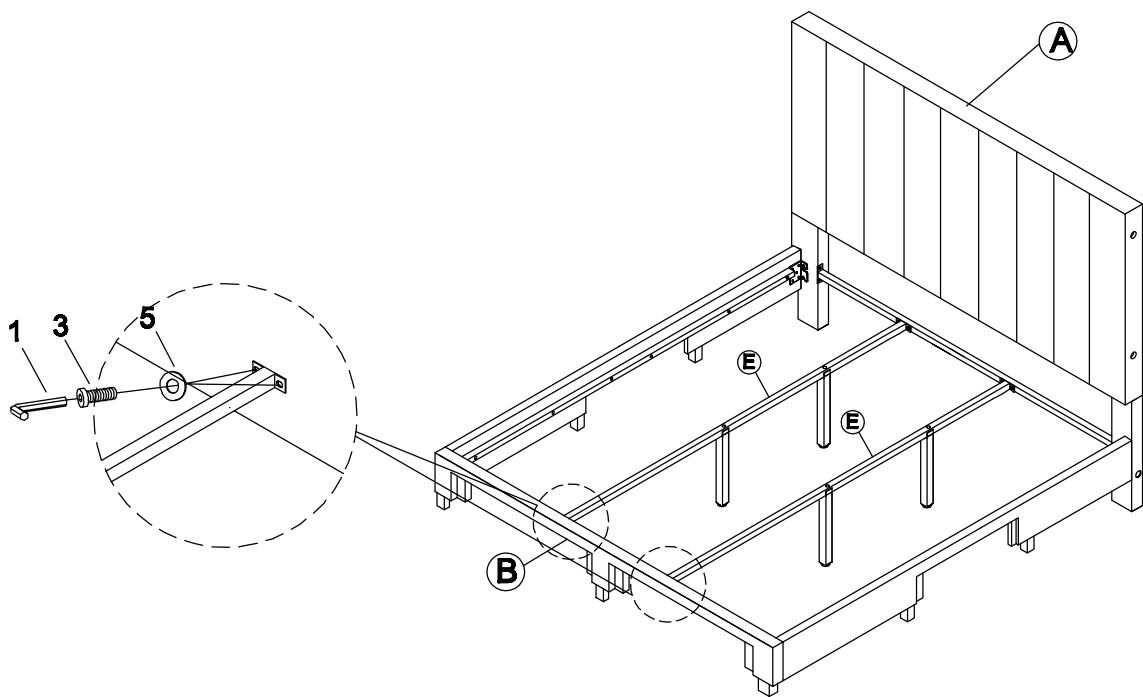


step 8

Bolt (2)
4pcs

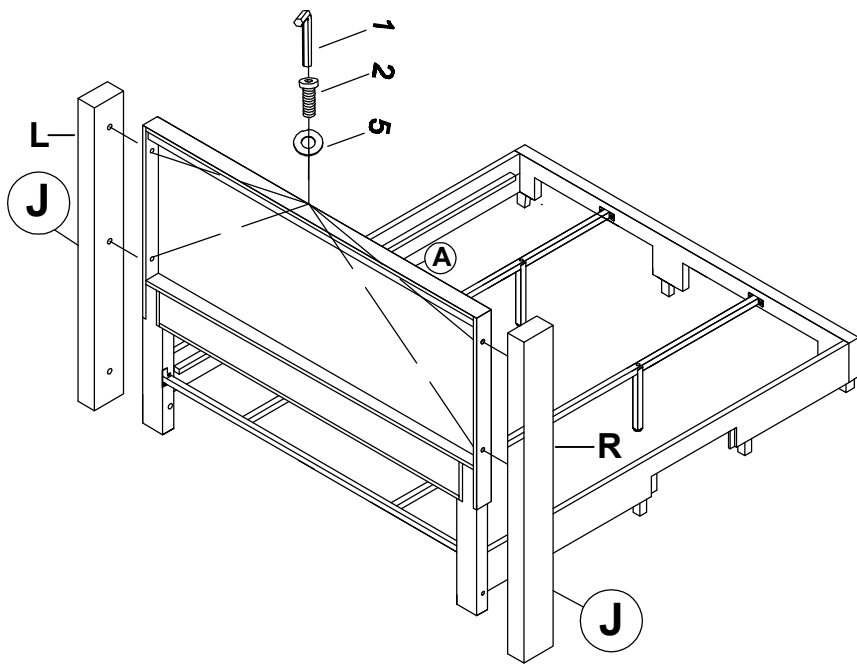
Washer (5)
8pcs

Nut (7)
4pcs



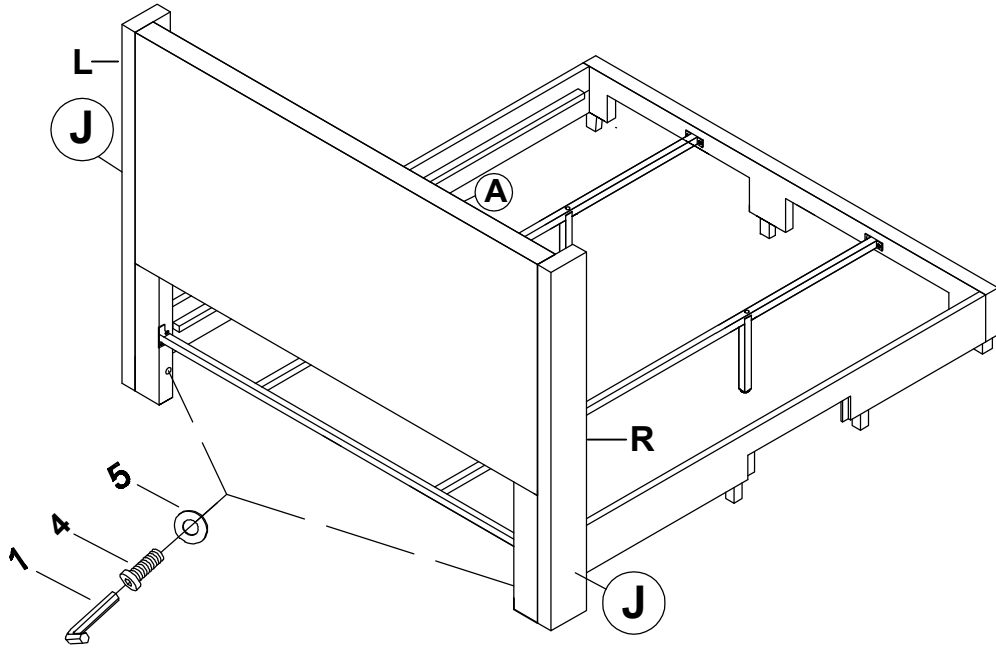
step 9

Bolt (3) 4pcs	Washer (5) 4pcs
------------------	--------------------



step 10

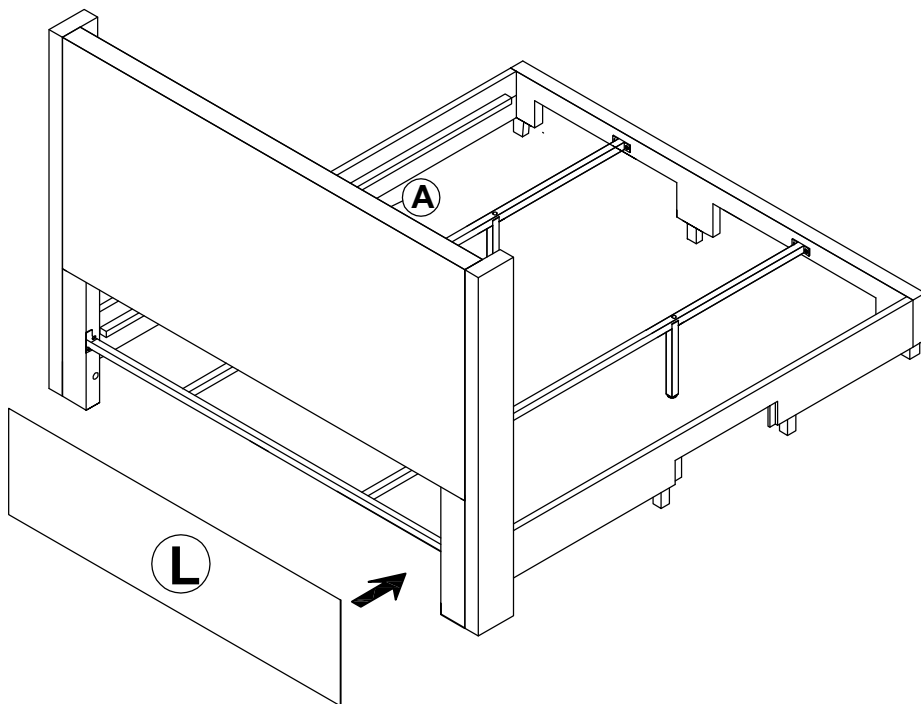
Bolt (2) 4pcs	Washer (5) 4pcs
------------------	--------------------



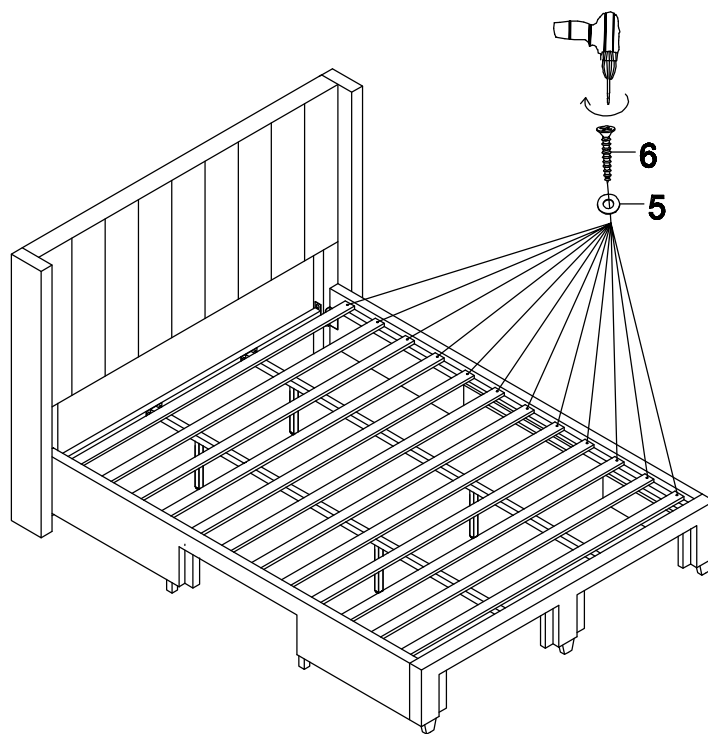
step 11

Bolt (4)
2pcs

Washer (5)
2pcs



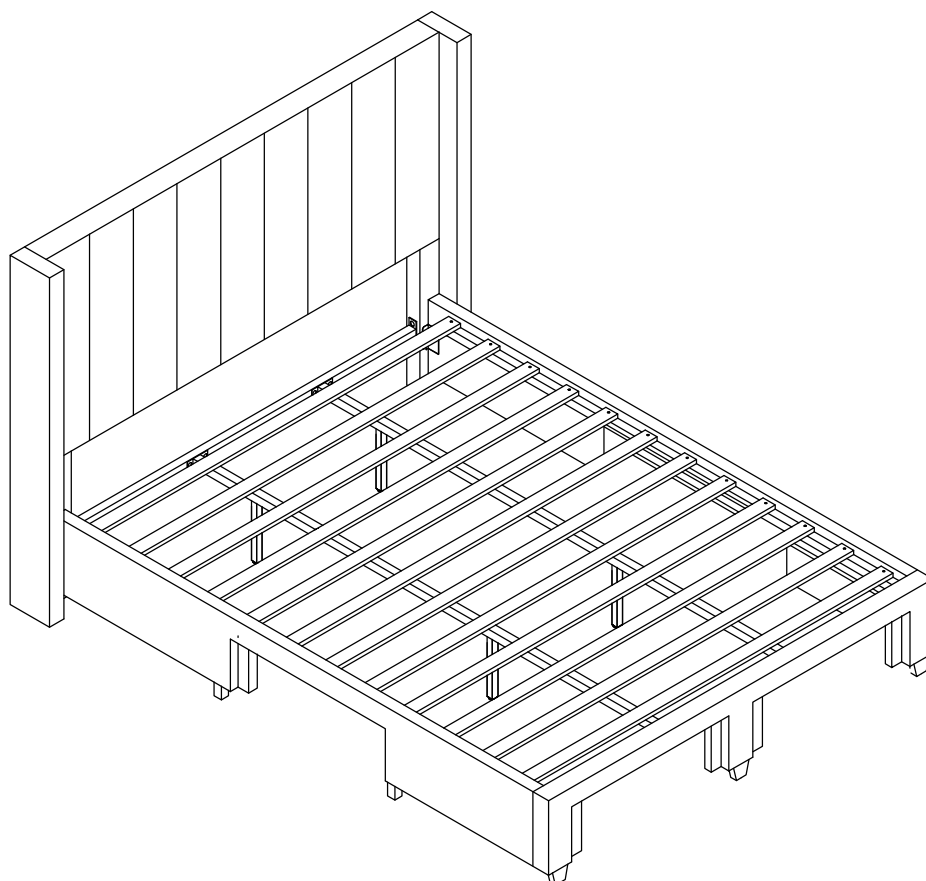
step 12



step 13

Screw ⑥
24pcs

Washer ⑤
24pcs

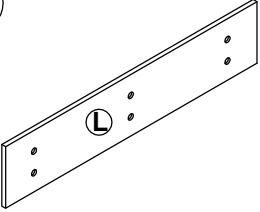
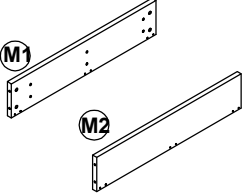
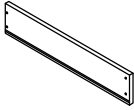
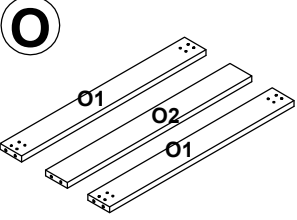
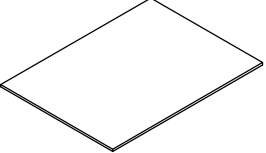


step 14

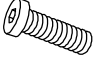




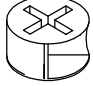
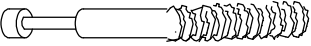
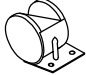
Drawer Assembly Instruction

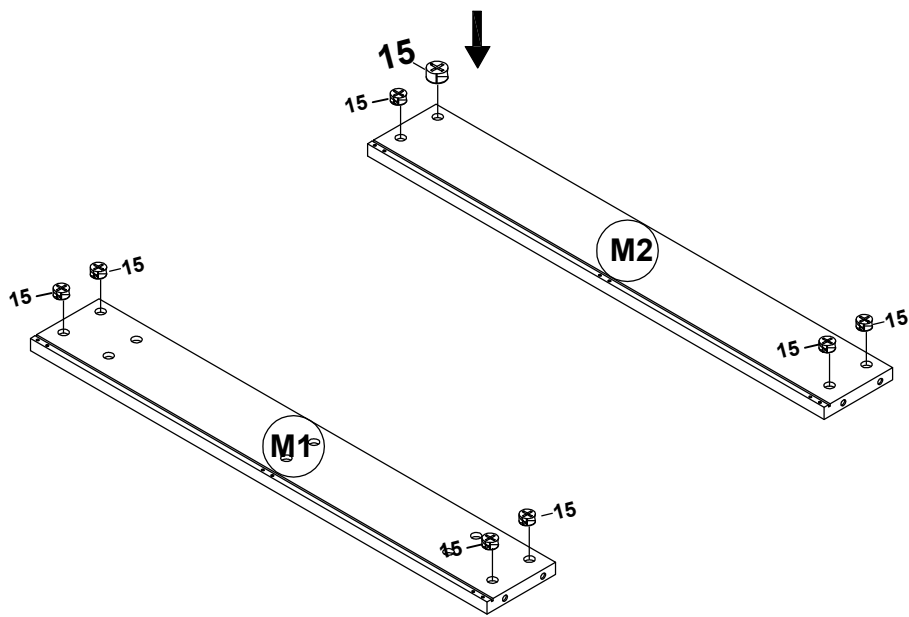
This is one drawer Assembly steps you will need set up total 4 drawers per bed

PARTS LIST:

<p>L</p>  <p>Drawer wall front=1PC</p>	<p>M</p>  <p>Drawer front =2pcs</p>	<p>N</p>  <p>Drawer wall =2PCS</p>	<p>O</p>  <p>Drawer bottom bar =3PCS</p>
<p>P</p>  <p>Drawer bottom board=1pc</p>			

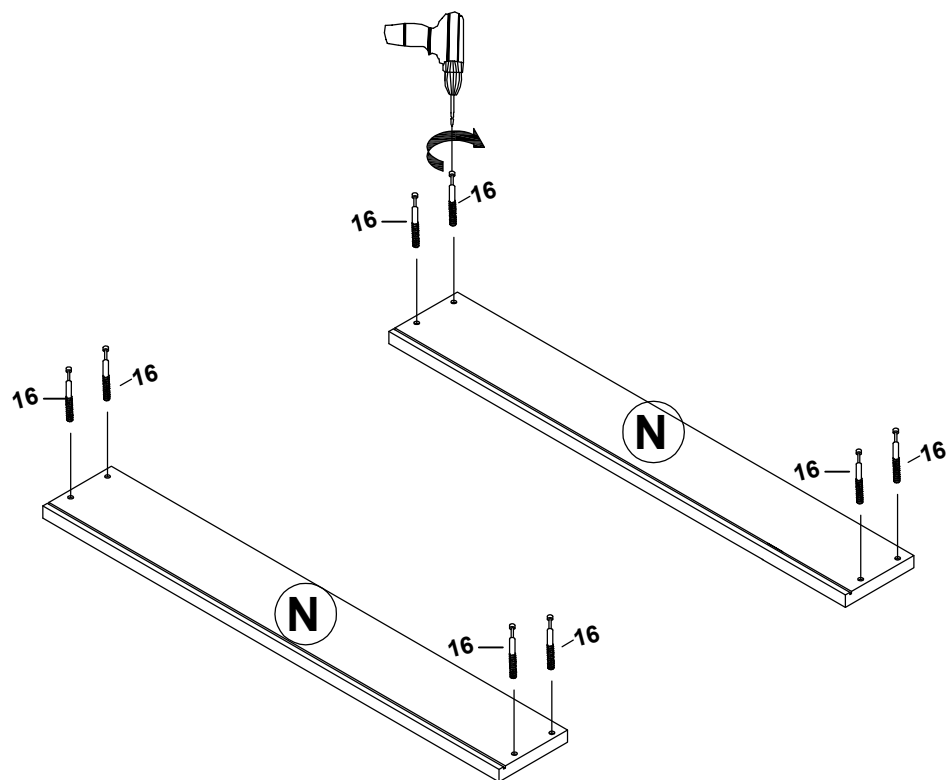
HARDWARE LIST:

<p>10 Bolt \varnothing 5/16" X 25mm L = 6pcs</p> 	<p>11 Flat Washer \varnothing5/16" X 19mm =6pcs</p> 	<p>12 Screw 10mm X 1-1/4" L=12pcs</p> 
<p>13 Allen Key \varnothing5/16"=1pc</p> 	<p>14 Screw 10mm X 3/4" L=16pcs</p> 	<p>15 Locker =8pcs</p> 
<p>16 Bolt = 8pcs</p> 	<p>17 Castor=4pcs</p> 	



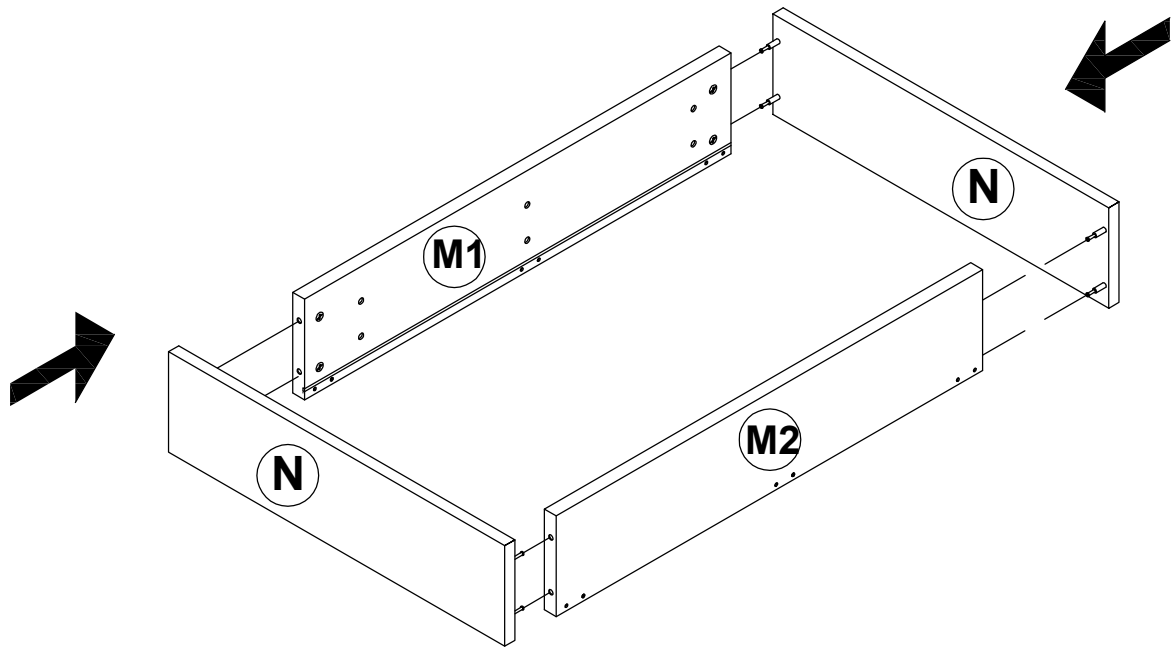
step 1

Locker 15
8pcs

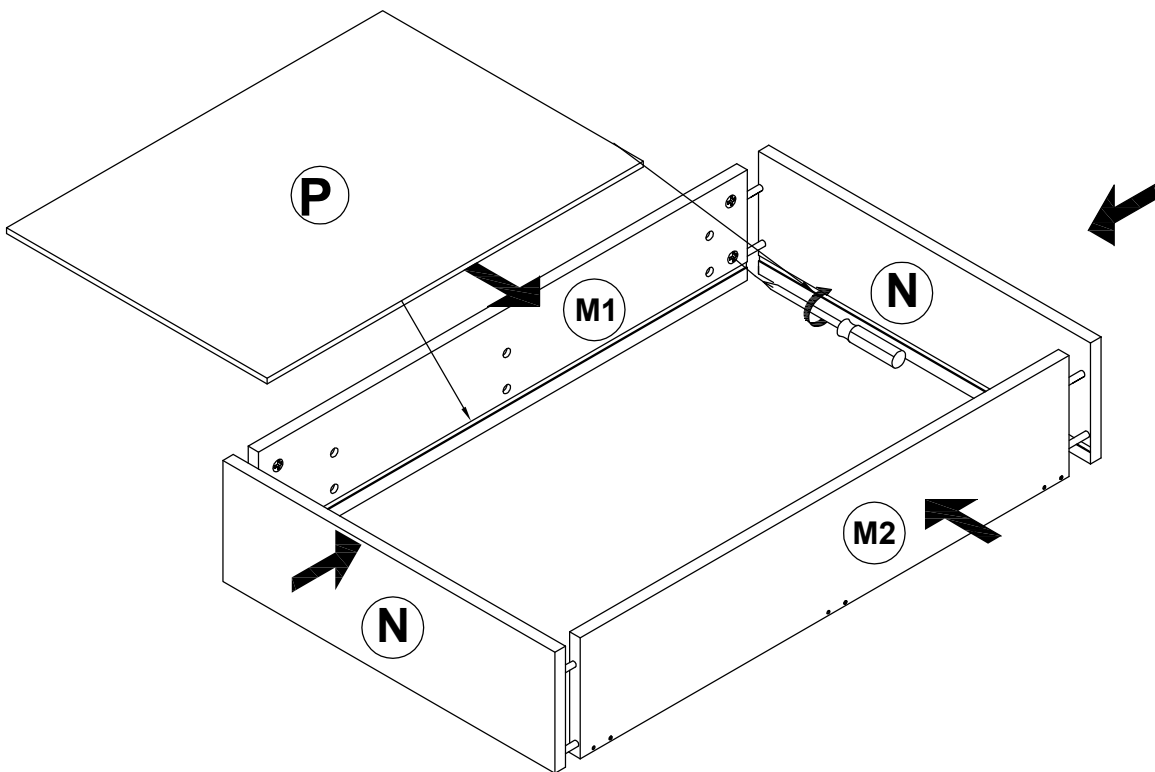


step 2

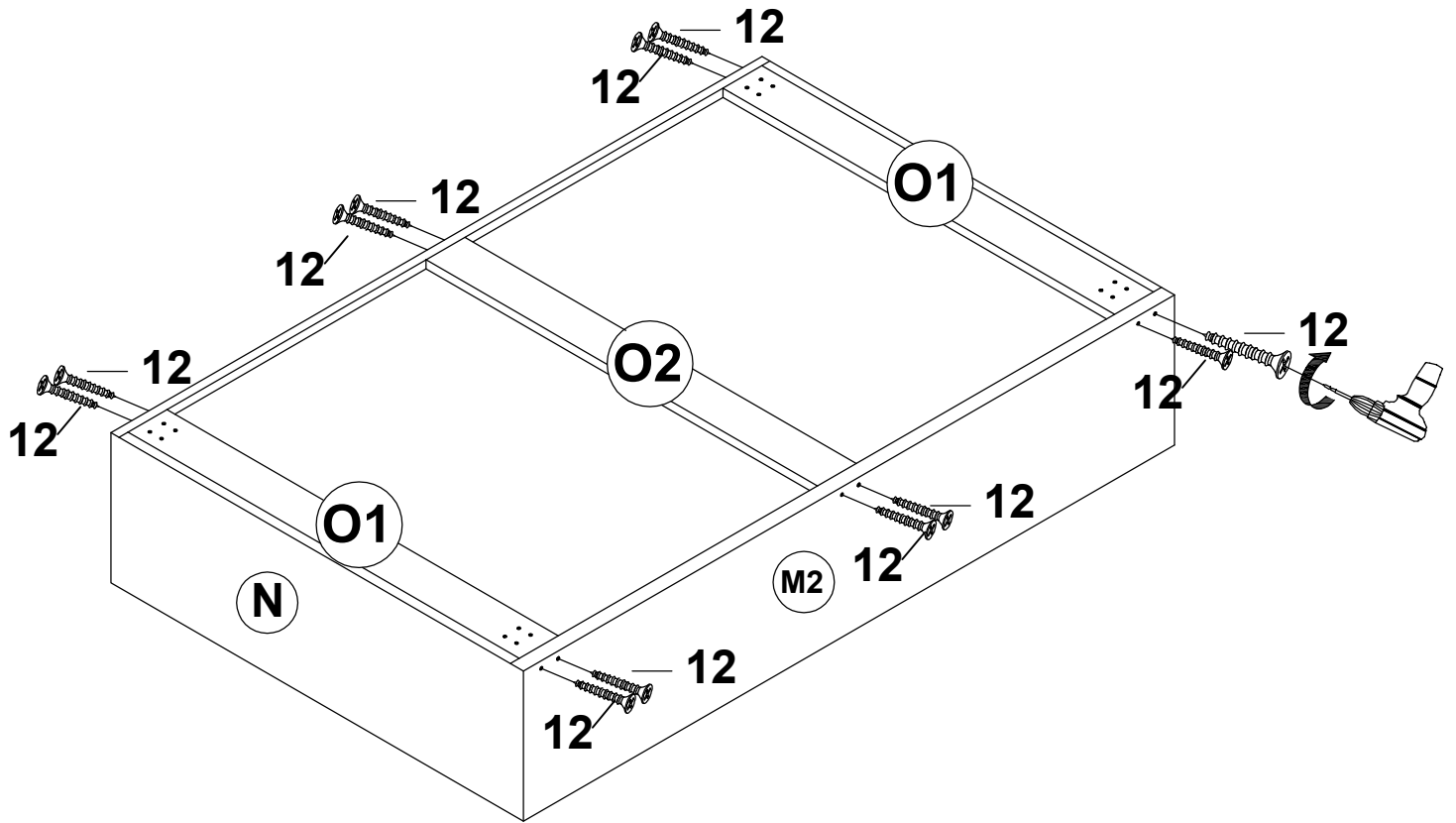
Bolt 16
8pcs



step 3

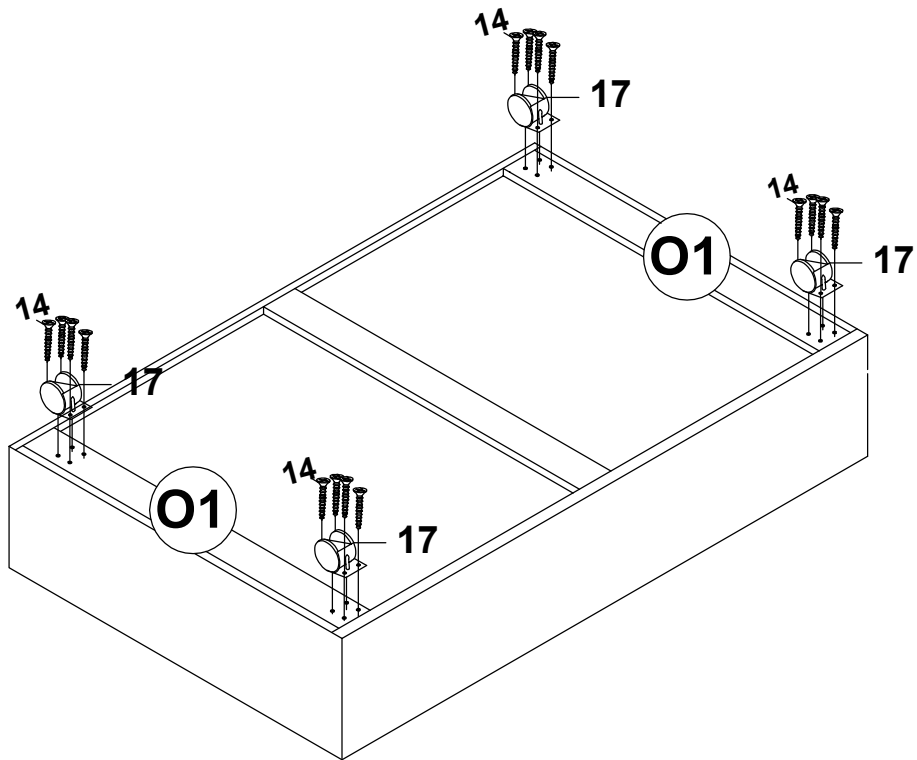


step 4



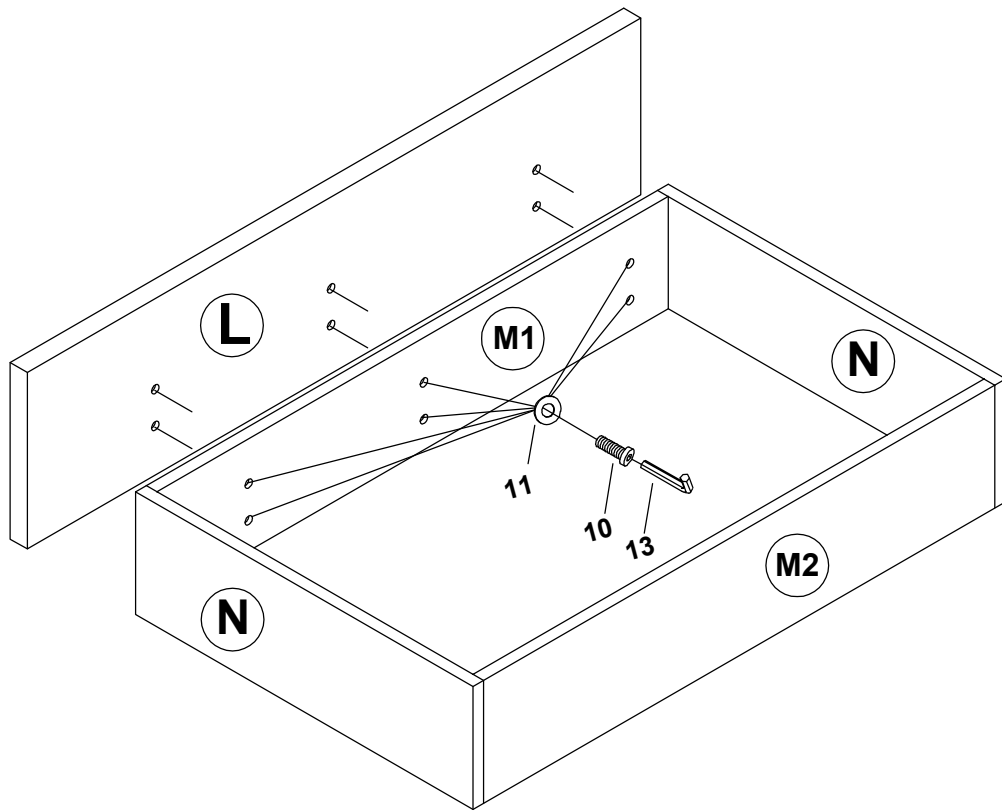
step 5

Screw 12
12pcs



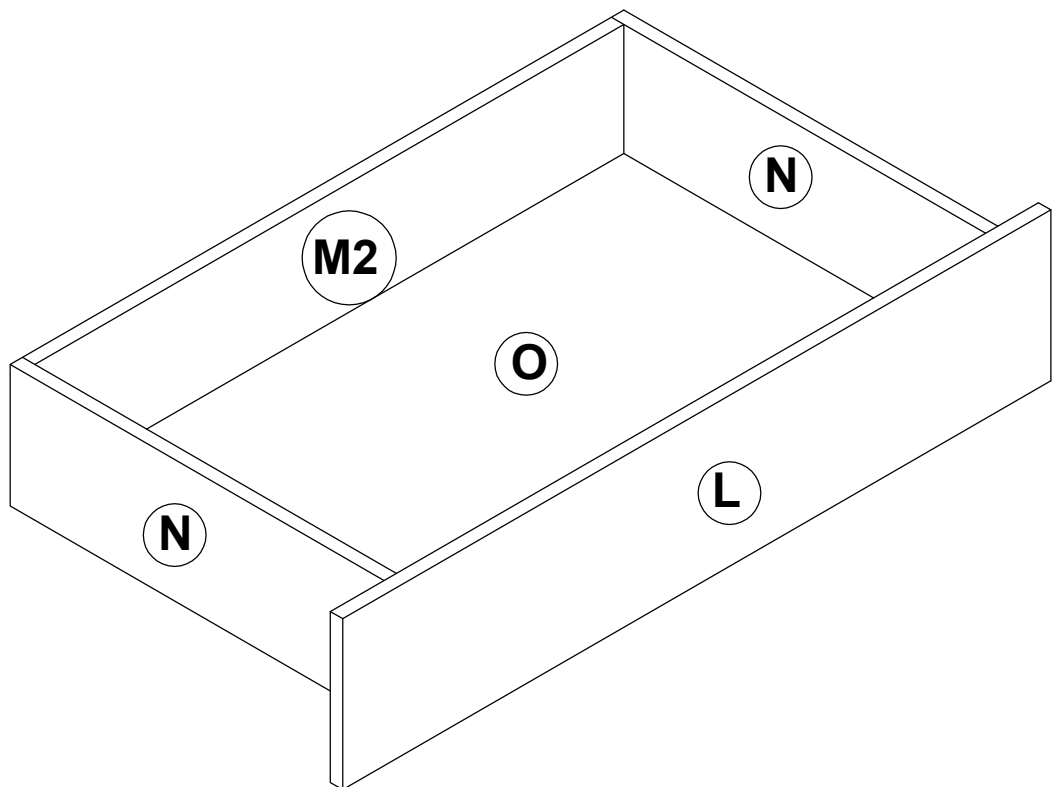
step 6

Screw 14
16pcs

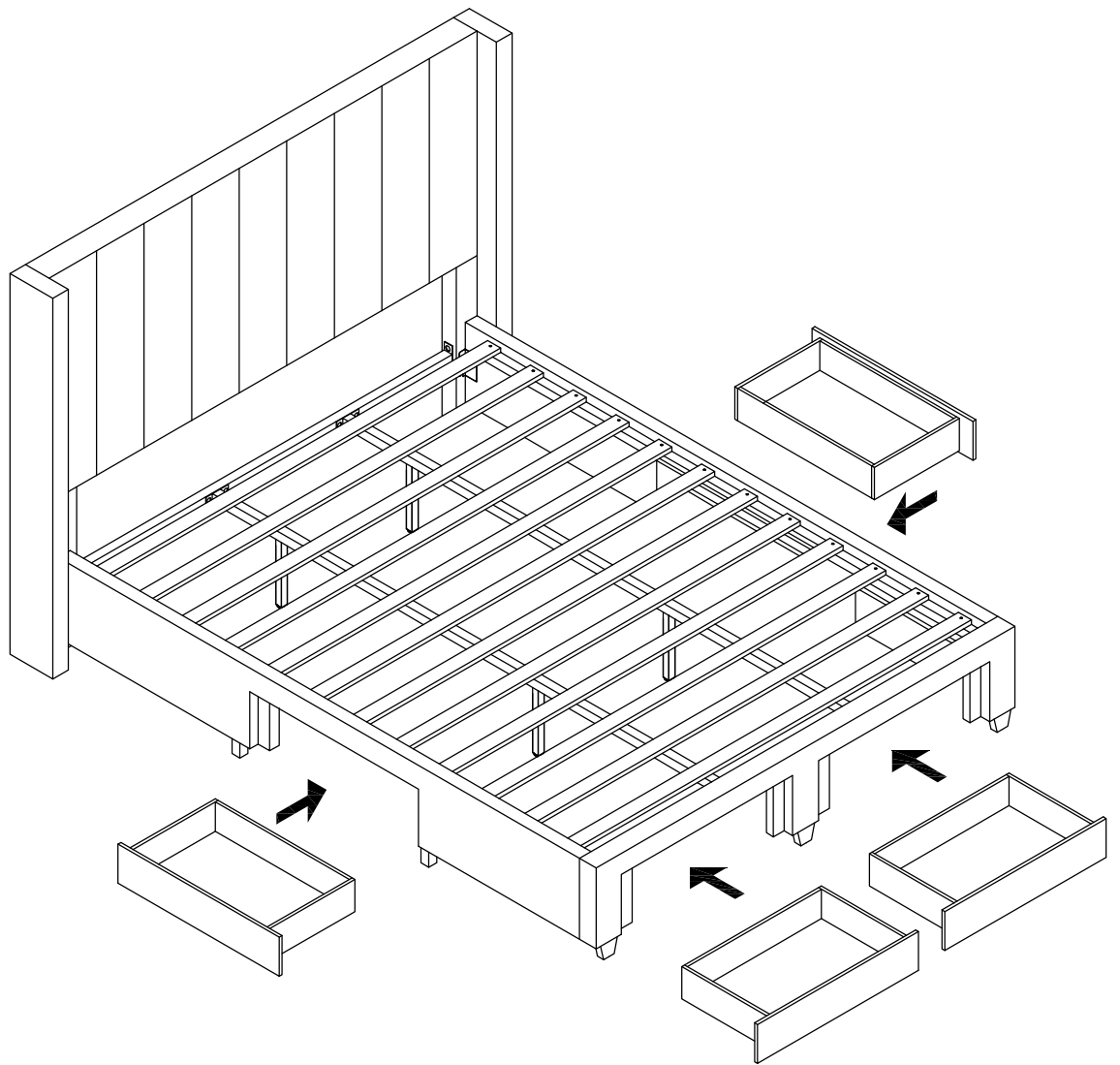


step 7

Bolt (10) 6pcs	Washer (11) 6pcs
-------------------	---------------------



step 8



step 9