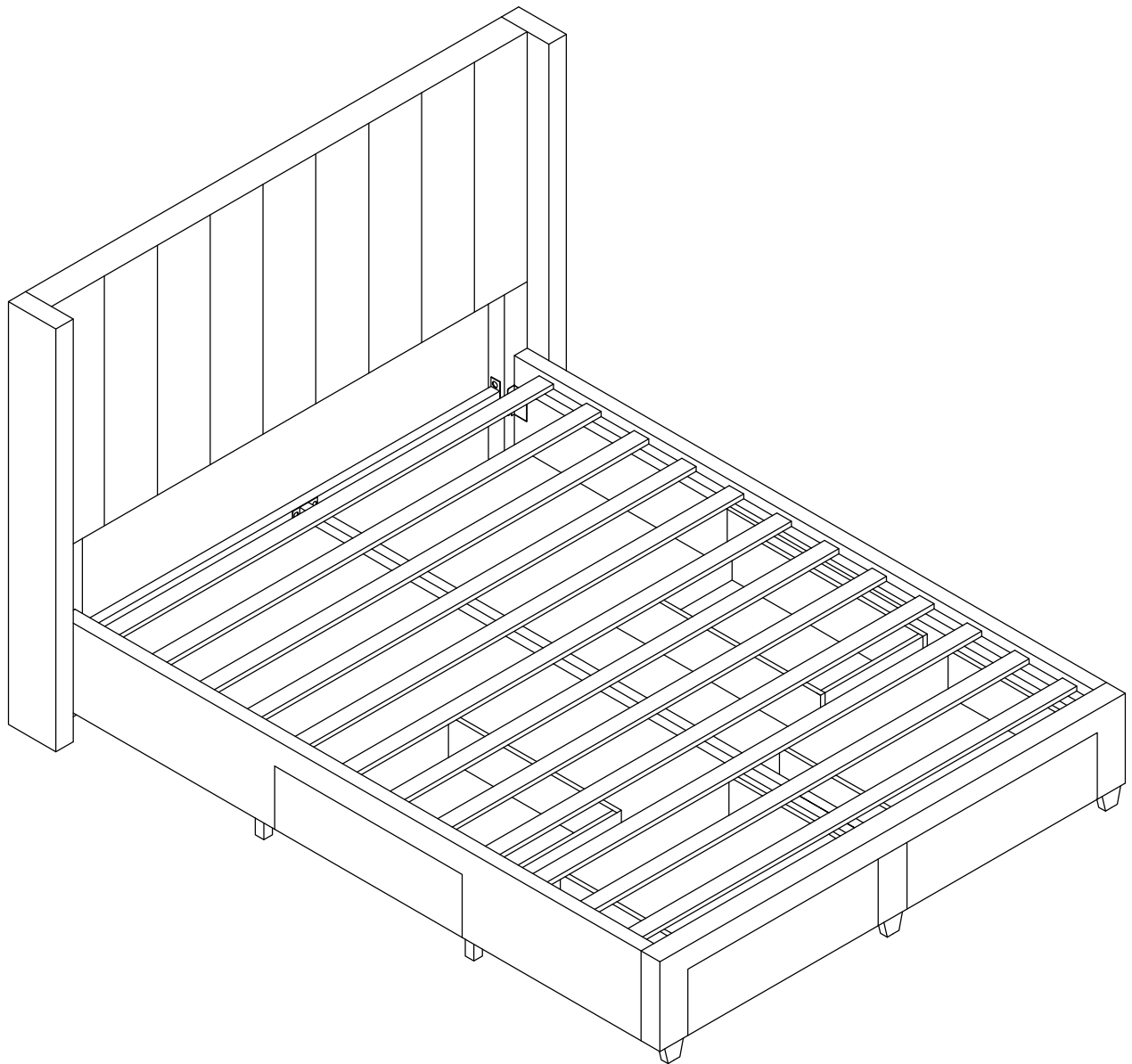


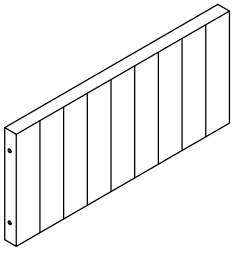
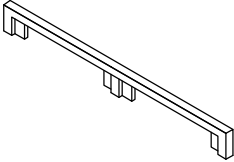
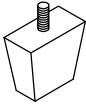
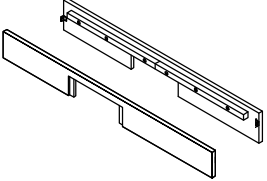
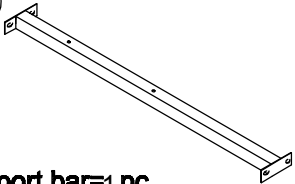

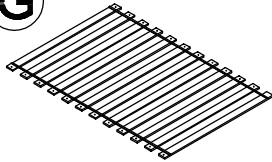

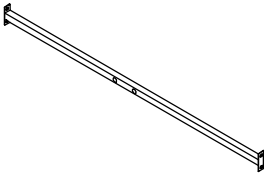
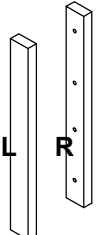
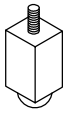

# Assembly Instruction

## ITEM NO.: BEDHH221- QUEEN


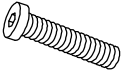

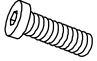




**IMPORTANT: PLACE ALL PARTS ON A CLEAN AND SMOOTH SURFACE SUCH AS A RUG OR CARPETTO  
AVOID THE PARTS FROM BEING SCRATCHED  
KINDLY FOLLOW THE ASSEMBLY INSTRUCTIONS STEP  
DO NOT TIGHTEN ALL SCREWS UNTIL THE BED IS FULLY SET-UP**



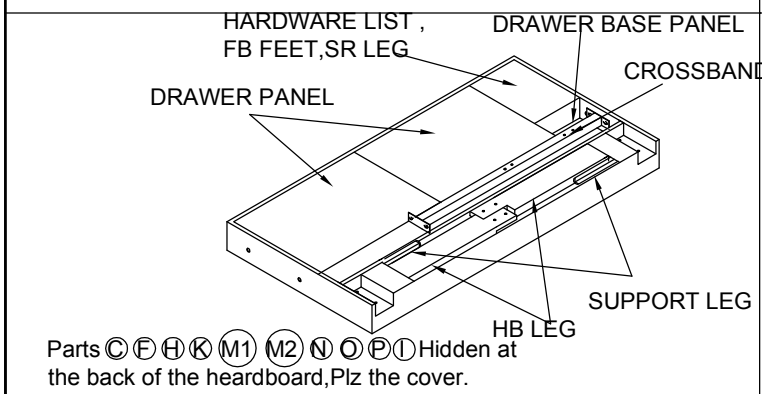
# PARTS LIST:

<p><b>(A)</b></p>  <p>Headboard=1pc</p>	<p><b>(B)</b></p>  <p>Footboard=1pc</p>	<p><b>(C)</b></p>  <p>FB Feet=3pcs</p>	<p><b>(D)</b></p>  <p>Siderail=2pcs</p>
<p><b>(E)</b></p>  <p>Support bar=1 pc</p>	<p><b>(F)</b></p>  <p>Support leg=2pcs</p>	<p><b>(G)</b></p>  <p>Slats=1units</p>	<p><b>(H)</b></p>  <p>HB legs=2pcs</p>
<p><b>(I)</b></p>  <p>Crossband=1pc</p>	<p><b>(J)</b></p>  <p>Wing back L&amp;R=2pcs</p>	<p><b>(K)</b></p>  <p>SR legs=4pcs</p>	<p><b>(L)</b></p>  <p>Fabric Base = 1PC</p>

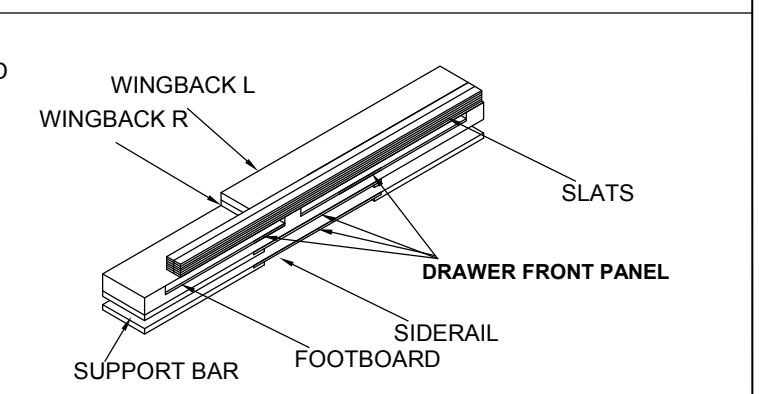
# HARDWARE LIST:

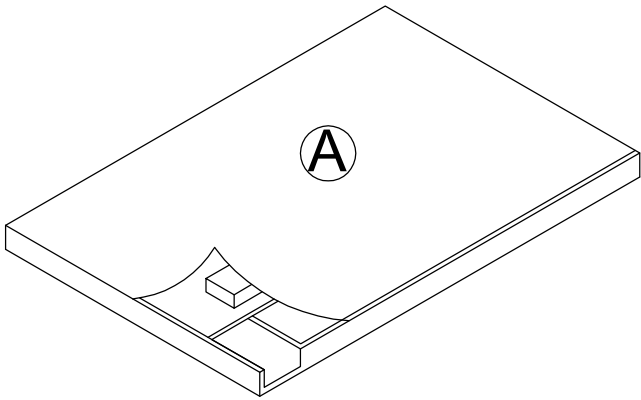
<p><b>1</b> Allen Key <math>\varnothing 5/16"</math> =1pc</p> 	<p><b>2</b> Bolt <math>\varnothing 5/16"</math> X2"L=12pcs</p> 	<p><b>3</b> Bolt <math>\varnothing 5/16"</math> X 1-1/2"L=14pcs</p> 
<p><b>4</b> Bolt <math>\varnothing 5/16"</math> X 4"L= 2 pcs</p> 	<p><b>5</b> Flat Washer <math>\varnothing 5/16"</math> X<math>\varnothing 19</math>mm=54pcs</p> 	<p><b>6</b> Screw 10mmX1-1/4"L=24pcs</p> 
<p><b>7</b> Nut=2pcs</p> 	<p><b>8</b> Wrench=1pc</p> 	

## BOX 1/2 CONTENTS:



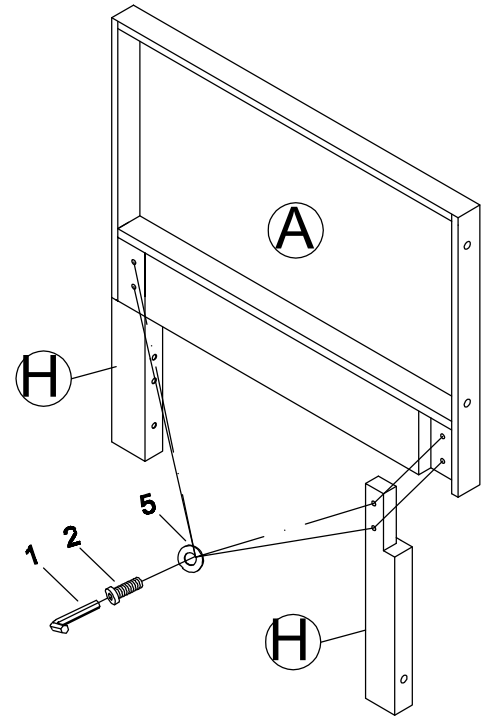
## BOX 2/2 CONTENTS:





HB LEGS, HARDWARES(2 PACKAGES), SUPPORT LEGS,CROSSBAND, SR LEGS , FB FEET , M1,M2,N,O,P HIDDEN AT THE BACK OF THE HEADBOARD, PLZ LIFT THE COVER, AND TAKE OUT ALL OF THE COMPONENTS.

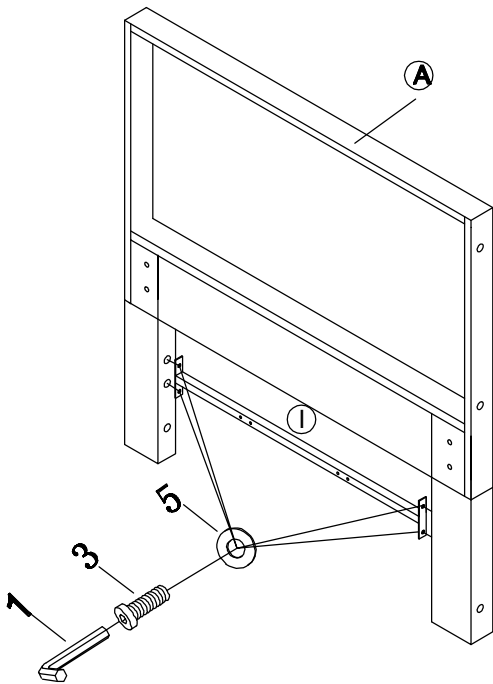
step 1



step 2

Bolt ②  
4pcs

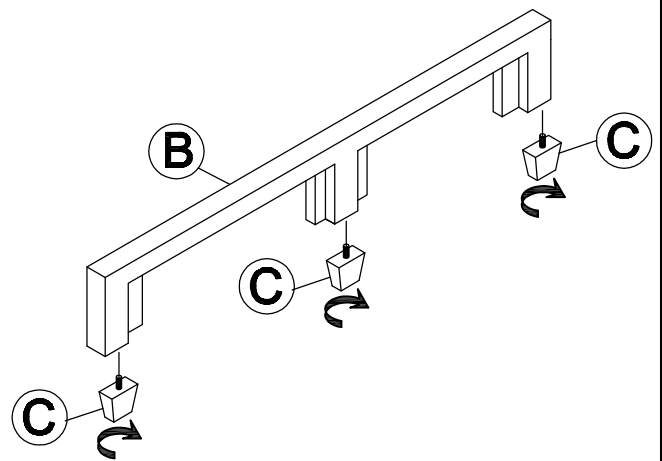
Washer ⑤  
4pcs



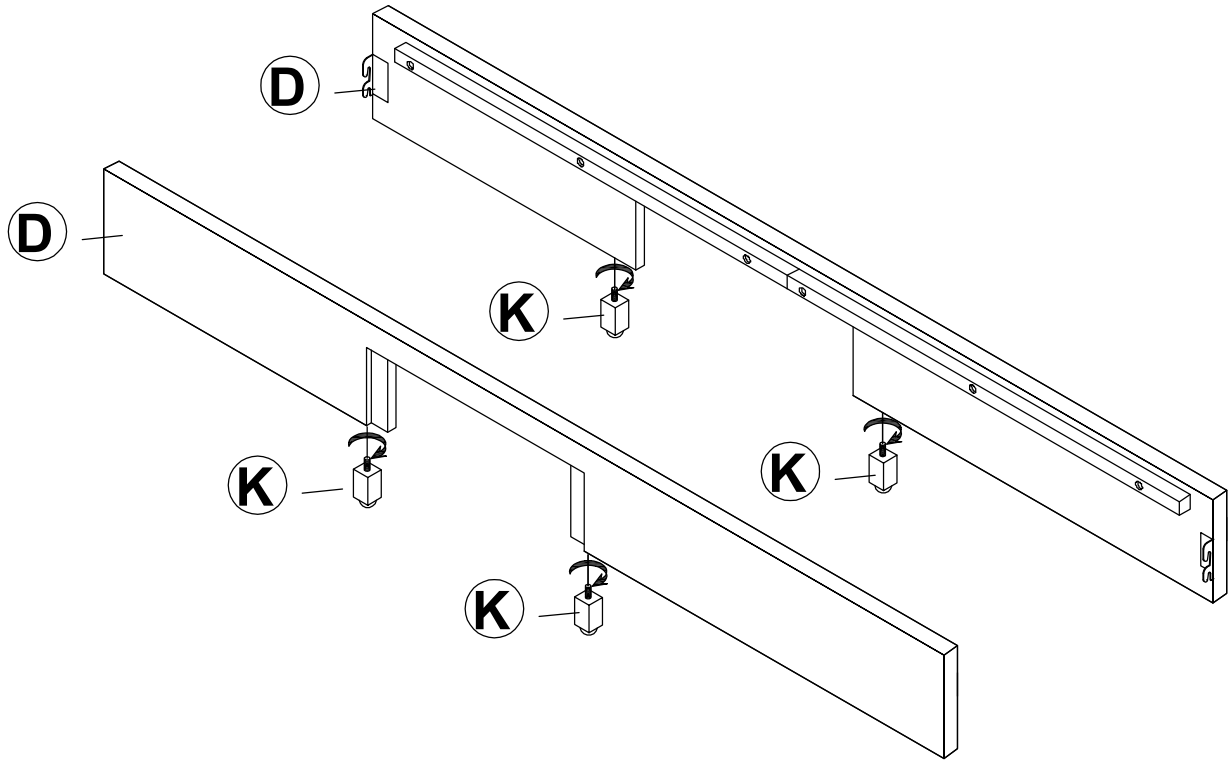
step 3

Bolt ③  
4pcs

Washer ⑤  
4pcs

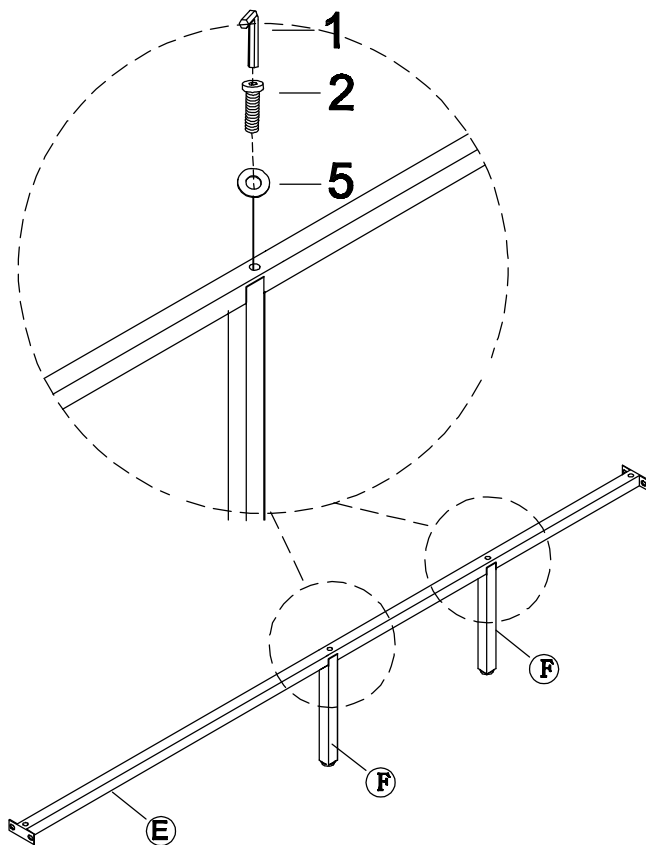


step 4



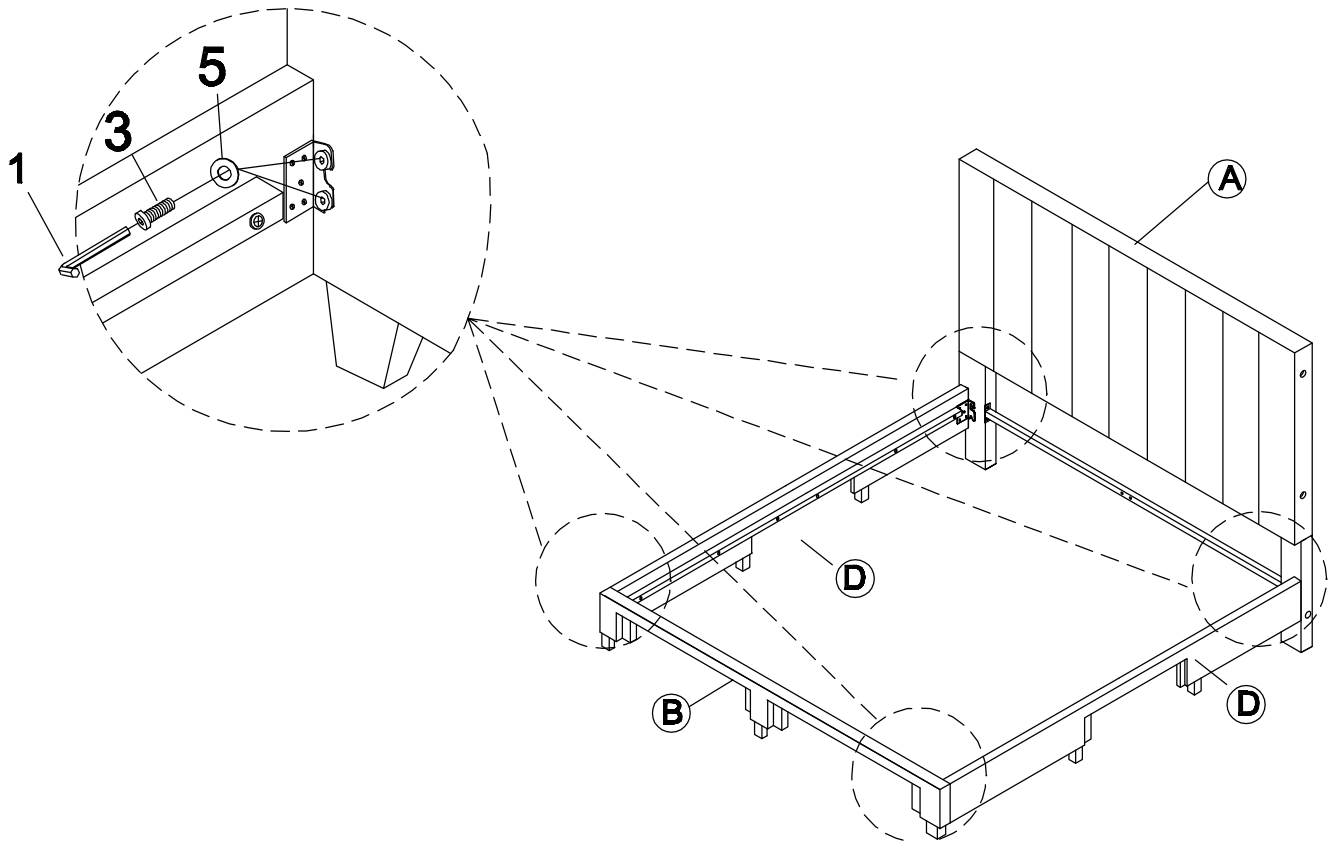
step 5

Part (K)  
4pcs



step 6

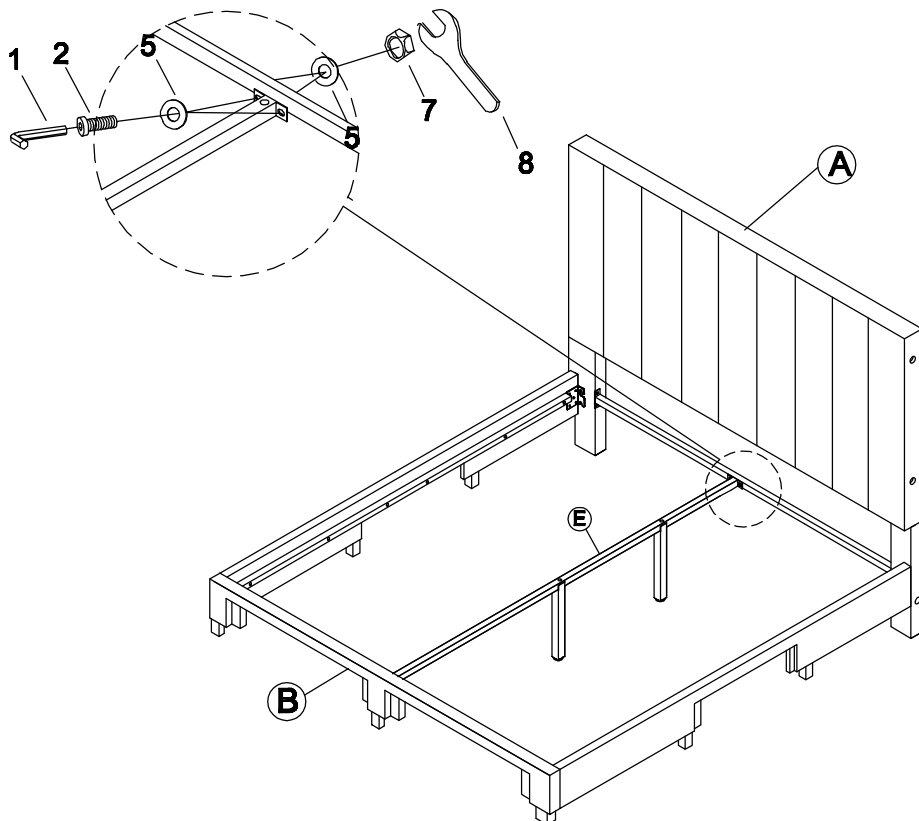
Bolt (2) 2pcs	Washer (5) 2pcs
------------------	--------------------



step 7

Bolt (3)  
8pcs

Washer (5)  
8pcs

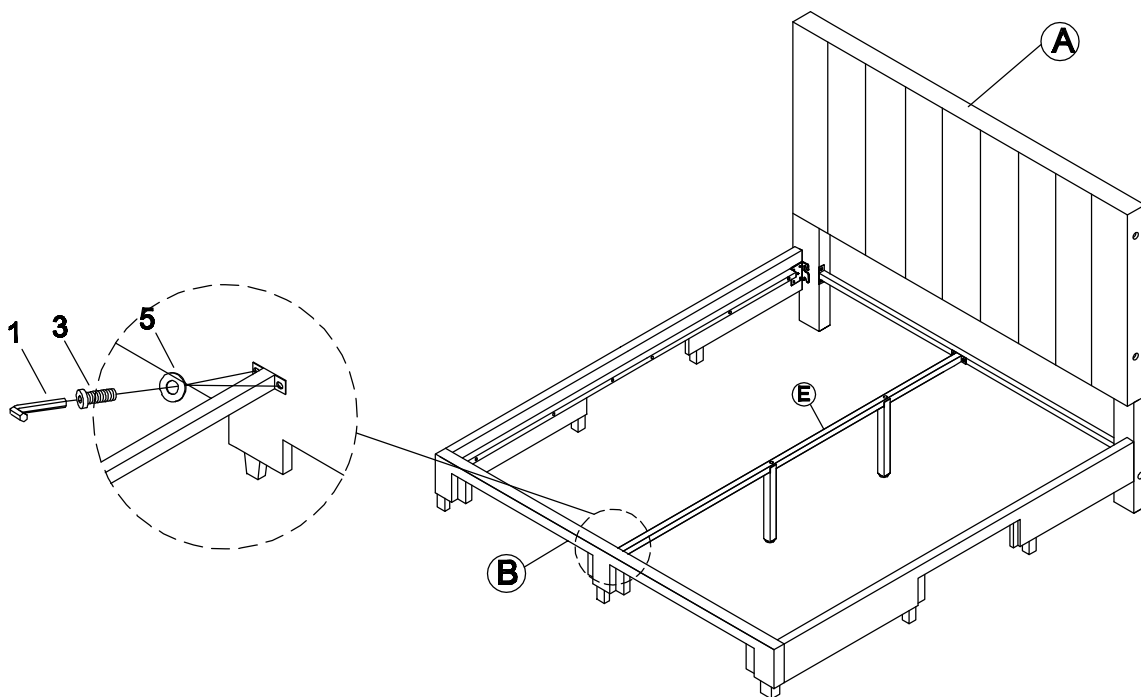


step 8

Bolt (2)  
2pcs

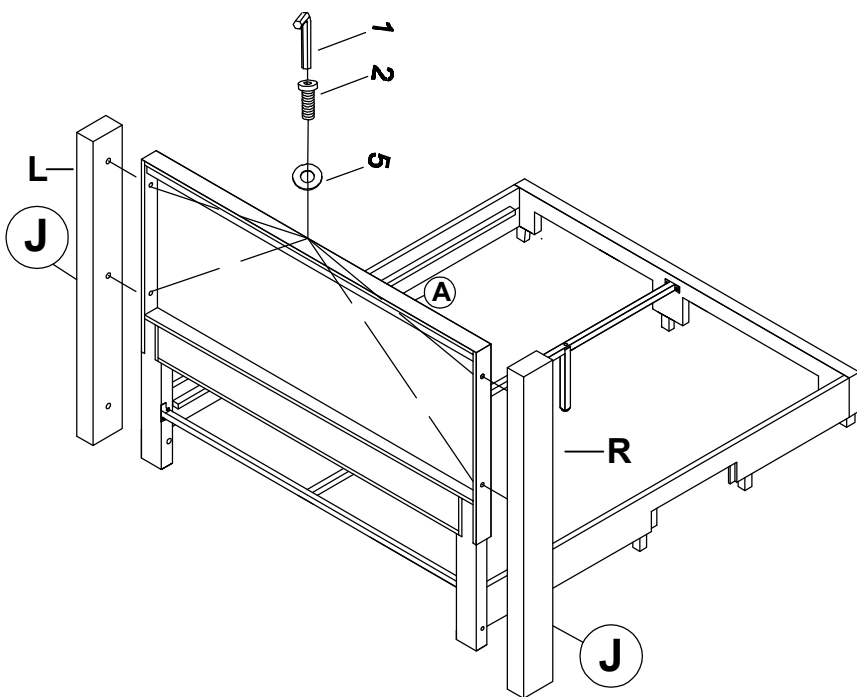
Washer (5)  
4pcs

Nut (7)  
2pcs



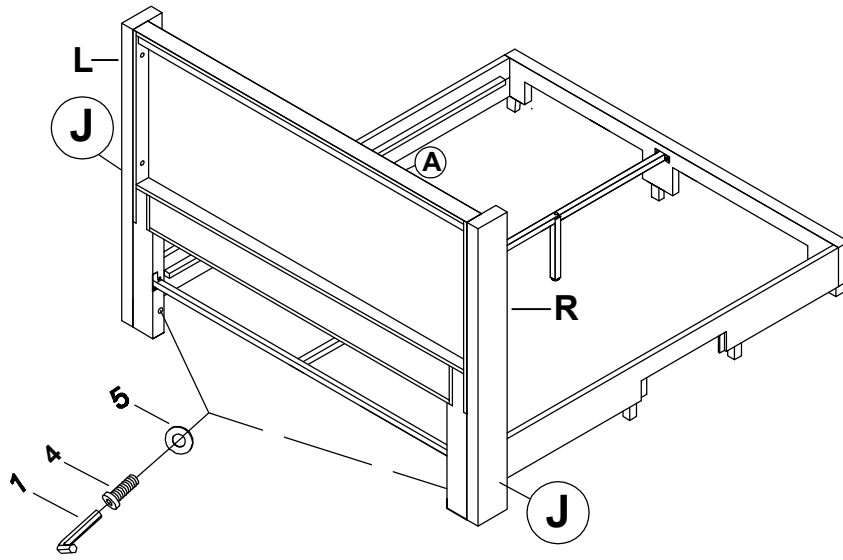
step 9

Bolt (3) 2pcs	Washer (5) 2pcs
------------------	--------------------



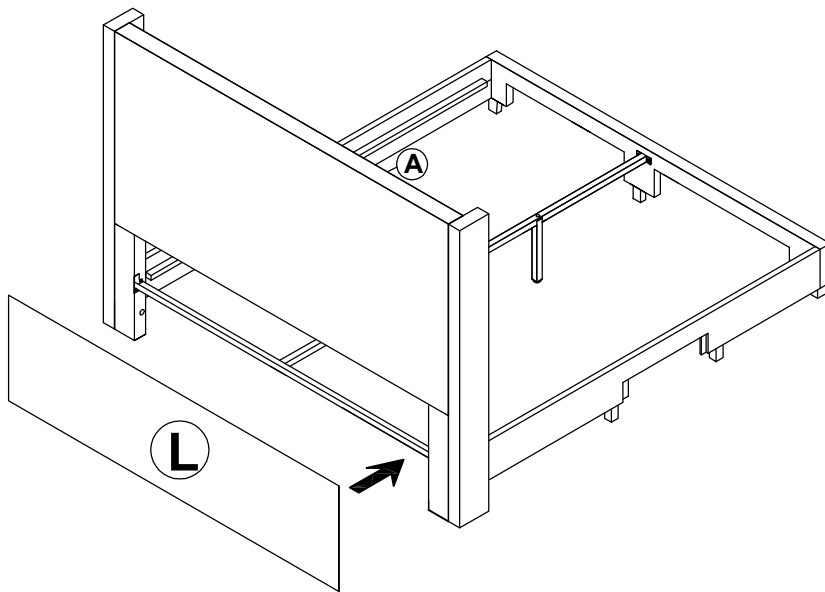
step 10

Bolt (2) 4pcs	Washer (5) 4pcs
------------------	--------------------

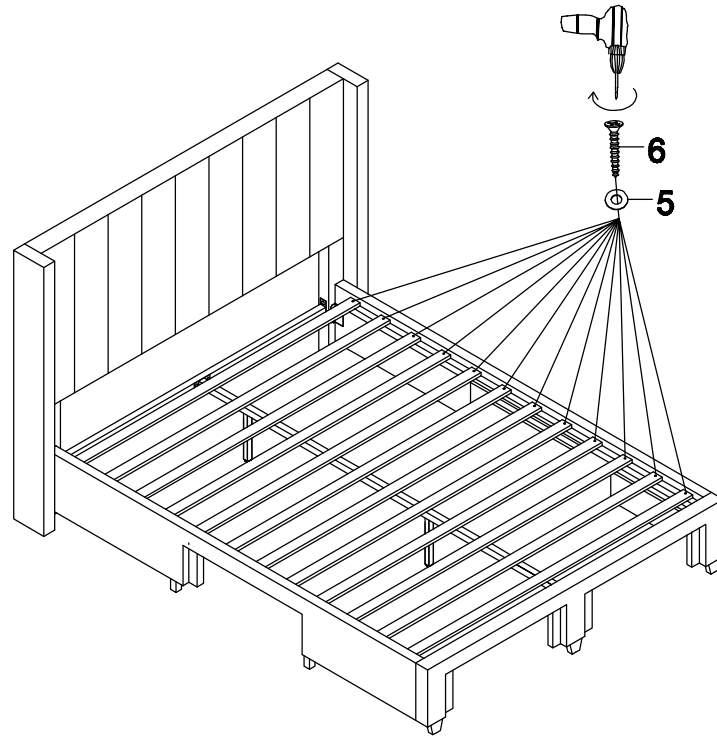


step 11

Bolt ④ 2pcs	Washer ⑤ 2pcs
----------------	------------------

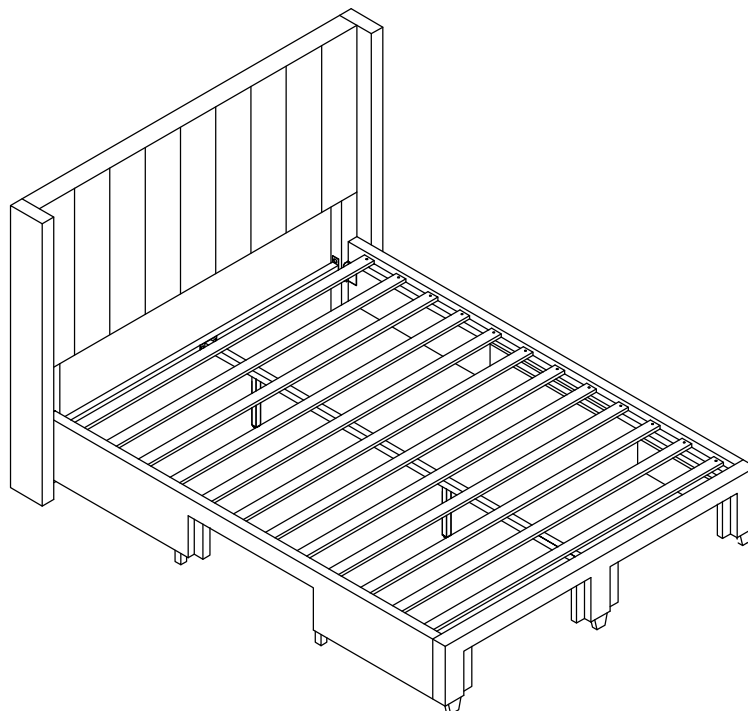


step 12



step 13

Screw ⑥ 24pcs	Washer ⑤ 24pcs
------------------	-------------------



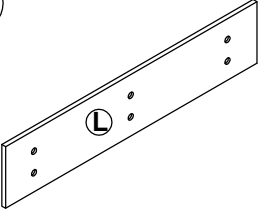
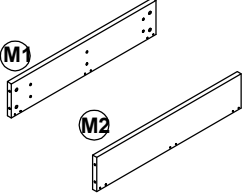
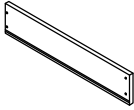
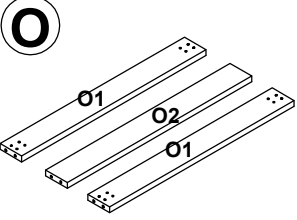
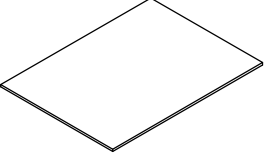
step 14



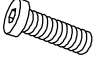




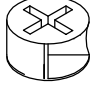
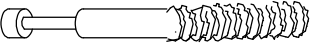
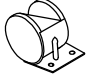
# Drawer Assembly Instruction

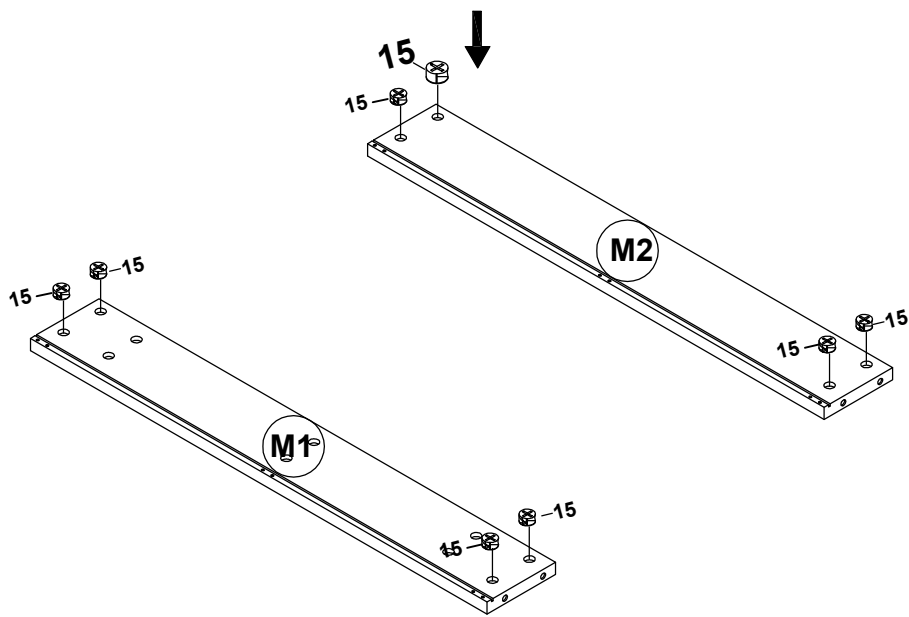
This is one drawer Assembly steps you will need set up total 4 drawers per bed

## PARTS LIST:

<p><b>L</b></p>  <p>Drawer wall front=1PC</p>	<p><b>M</b></p>  <p>Drawer front =2pcs</p>	<p><b>N</b></p>  <p>Drawer wall =2PCS</p>	<p><b>O</b></p>  <p>Drawer bottom bar =3PCS</p>
<p><b>P</b></p>  <p>Drawer bottom board=1pc</p>			

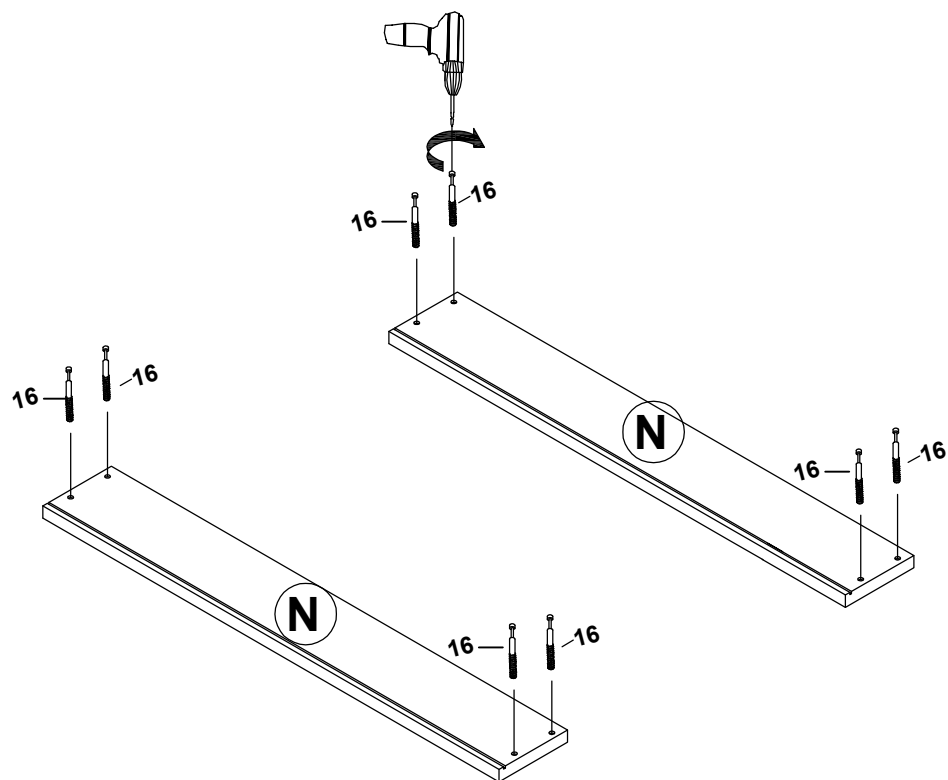
## HARDWARE LIST:

<p><b>10</b> Bolt <math>\varnothing</math> 5/16" X 25mm L = 6pcs</p> 	<p><b>11</b> Flat Washer <math>\varnothing</math>5/16" X 19mm =6pcs</p> 	<p><b>12</b> Screw 10mm X 1-1/4" L=12pcs</p> 
<p><b>13</b> Allen Key <math>\varnothing</math>5/16"=1pc</p> 	<p><b>14</b> Screw 10mm X 3/4" L=16pcs</p> 	<p><b>15</b> Locker =8pcs</p> 
<p><b>16</b> Bolt = 8pcs</p> 	<p><b>17</b> Castor=4pcs</p> 	



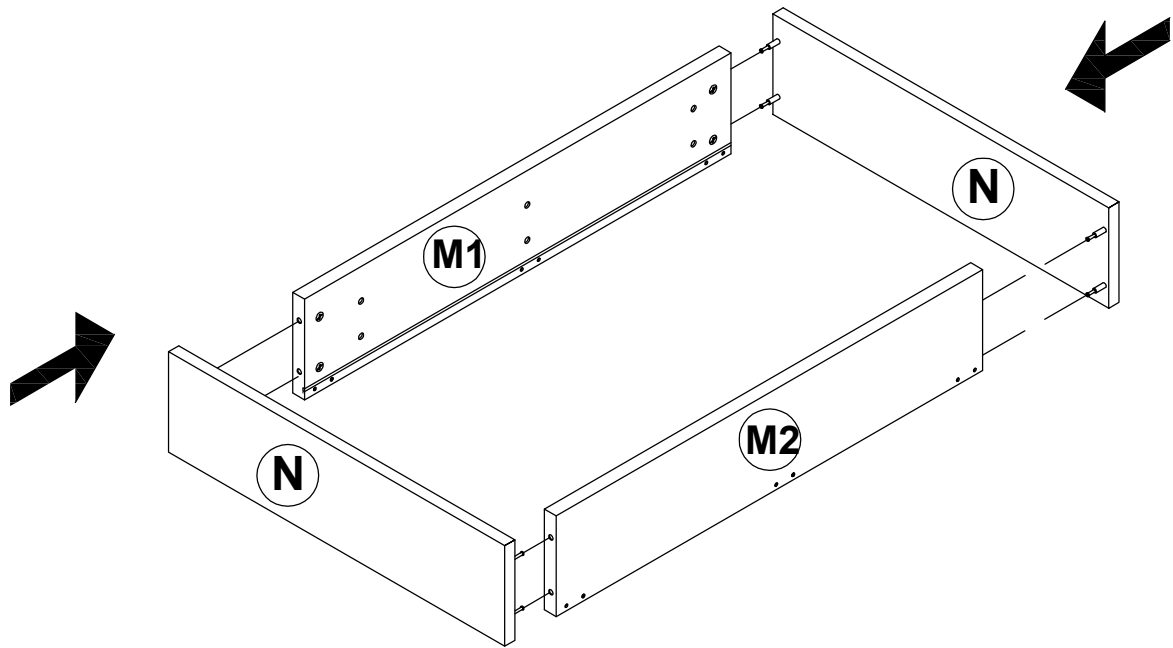
step 1

Locker 15  
8pcs

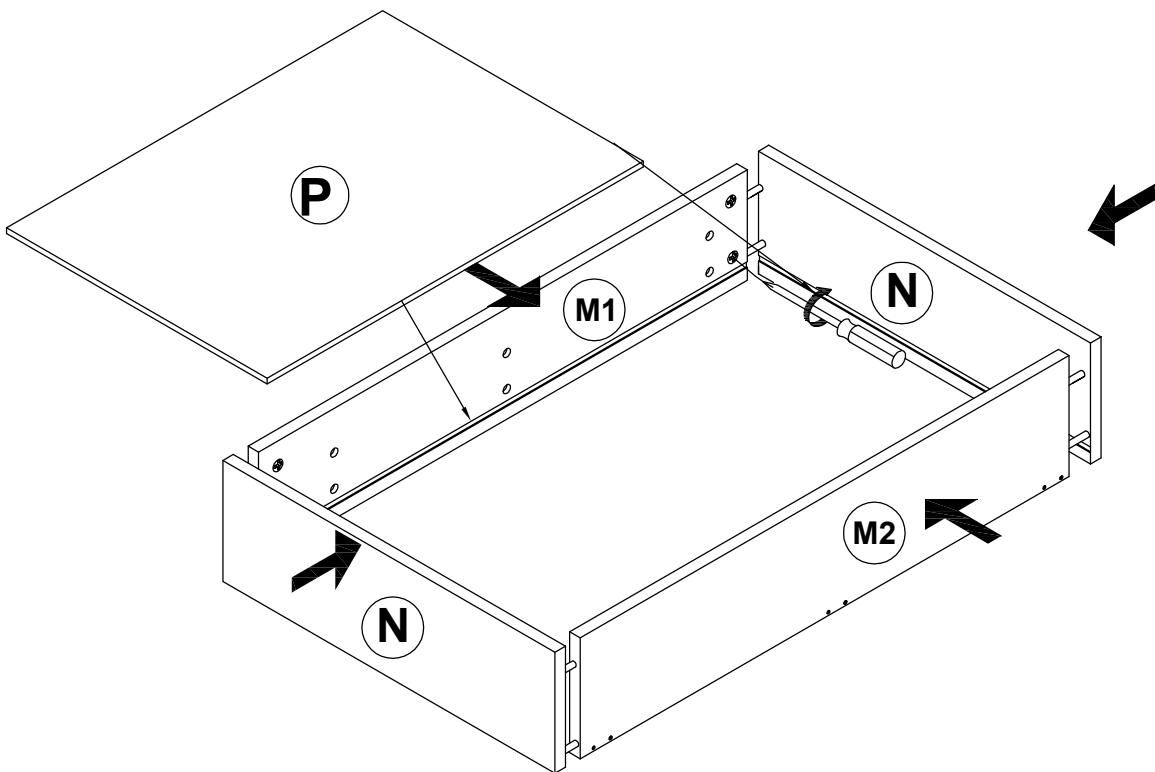


step 2

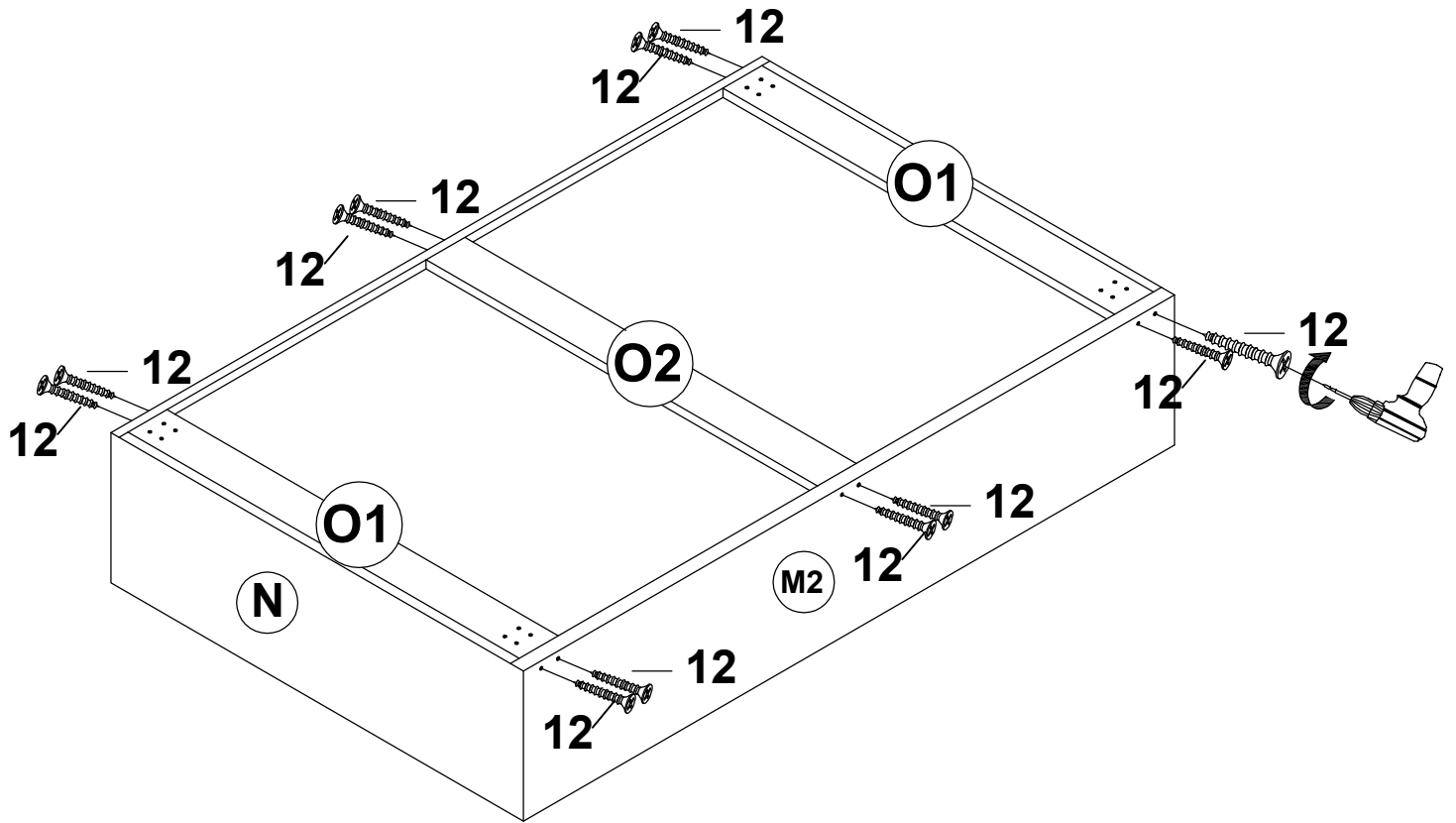
Bolt 16  
8pcs



step 3

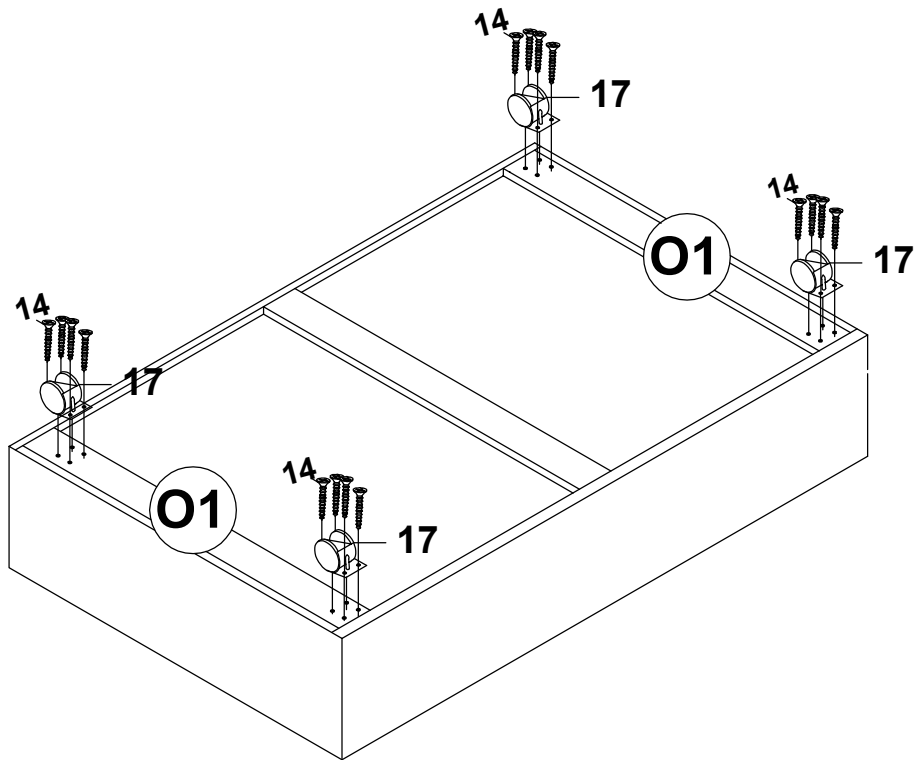


step 4



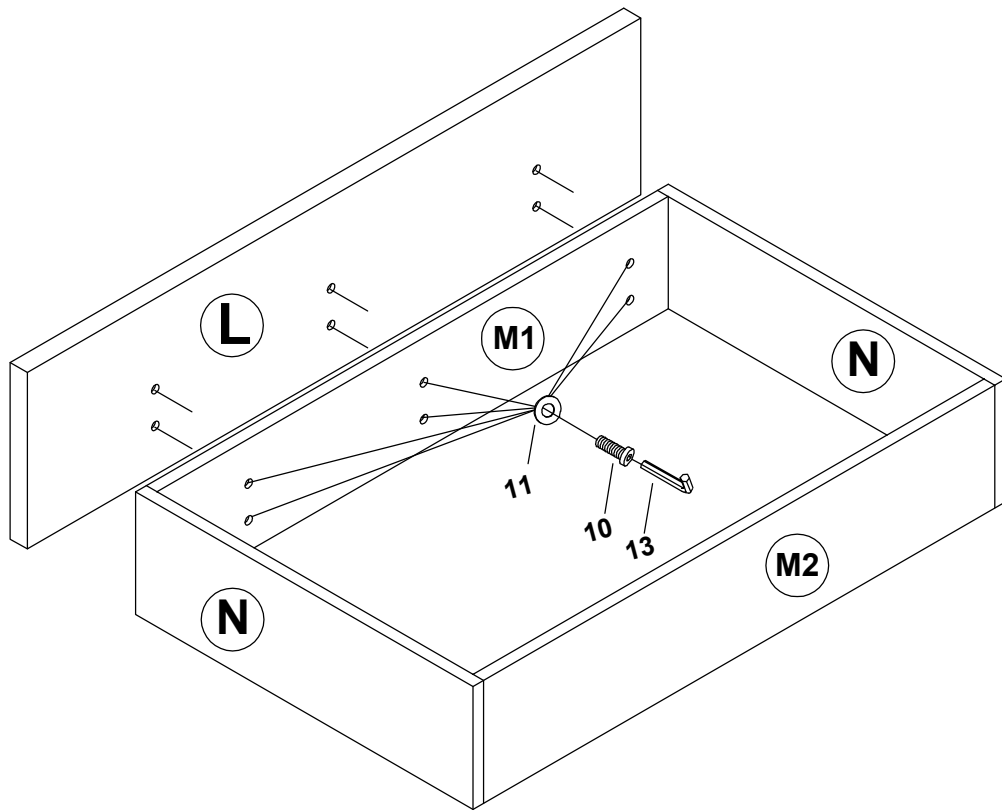
step 5

Screw 12  
12pcs



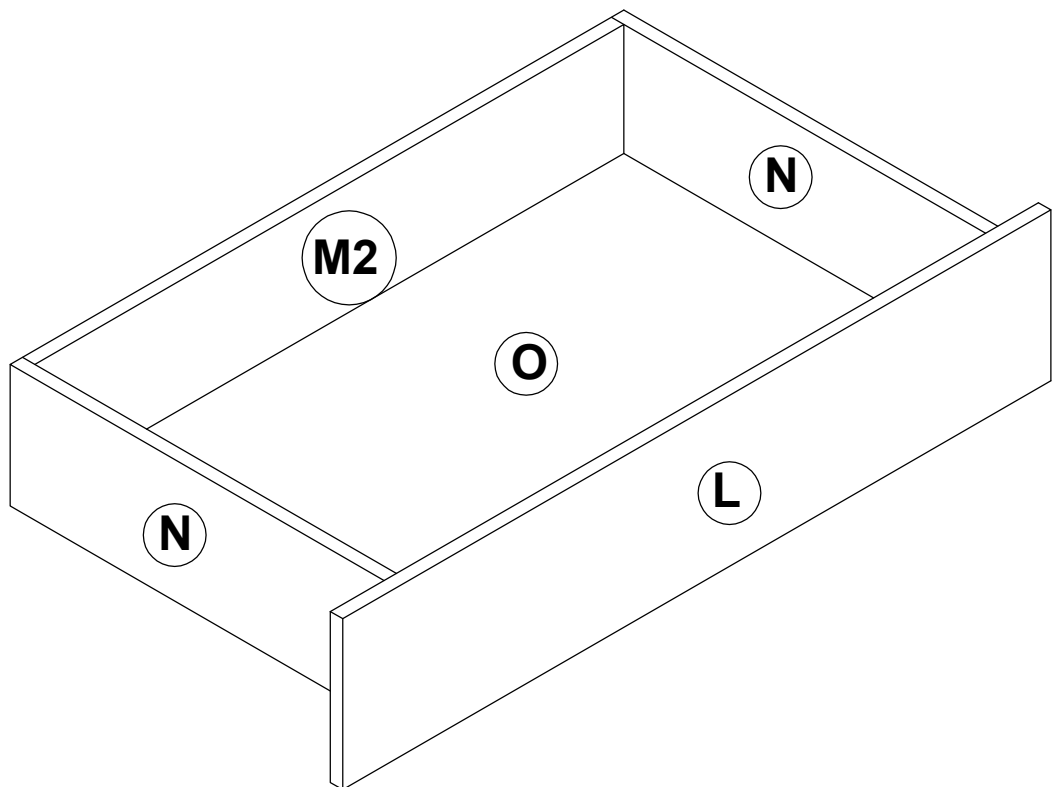
step 6

Screw 14  
16pcs

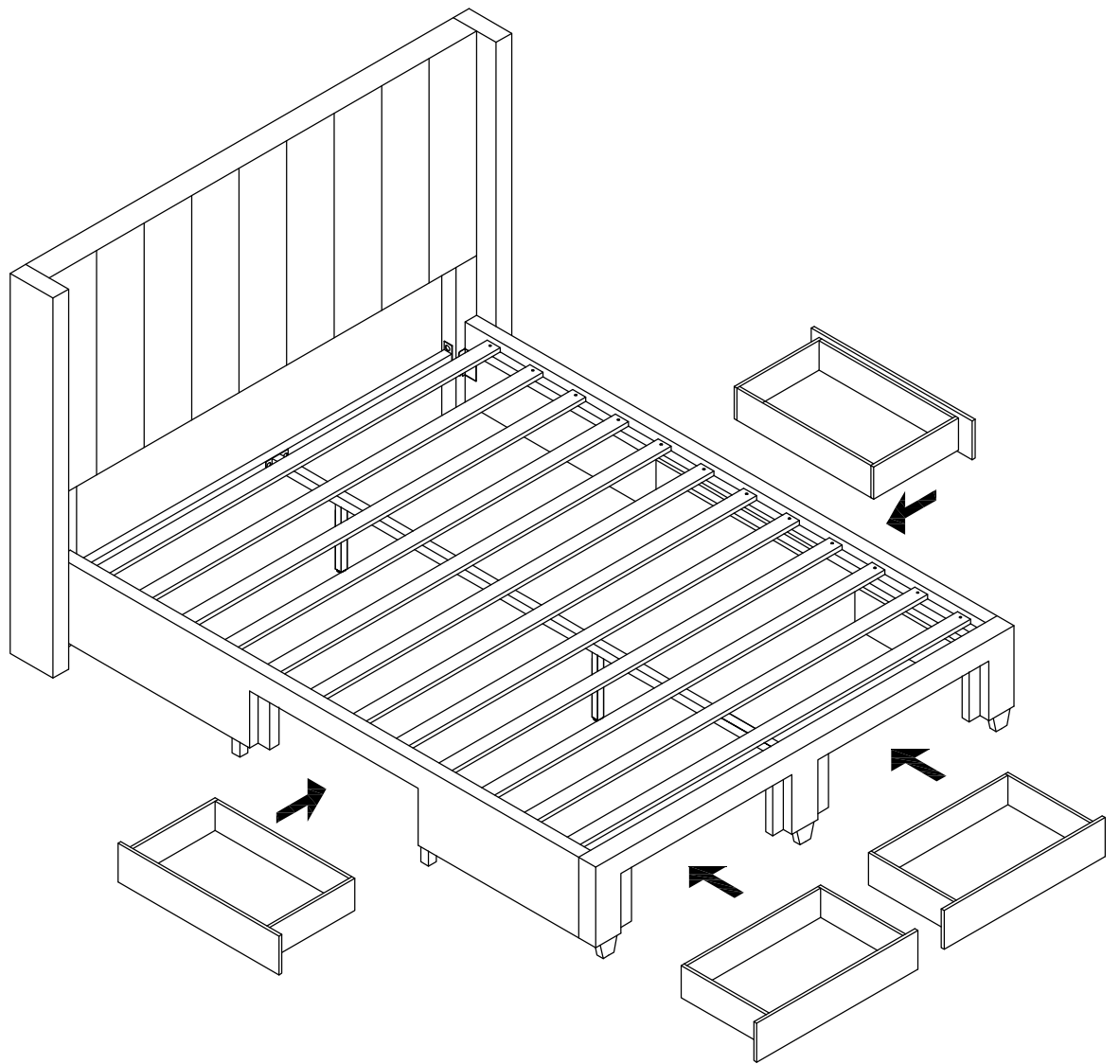


step 7

Bolt 10 6pcs	Washer 11 6pcs
-----------------	-------------------



step 8



step 9