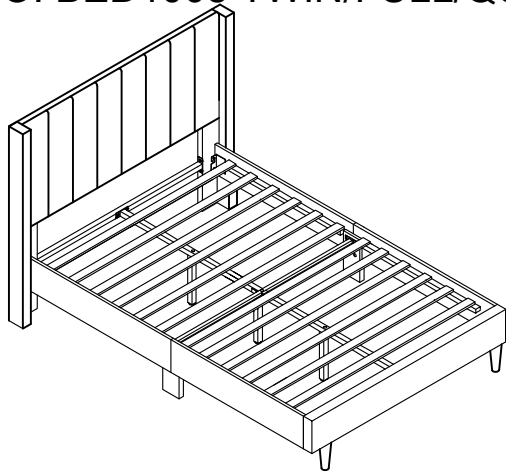















ASSEMBLY INSTRUCTIONS

ITEM NO: BED1008 TWIN/FULL/QUEEN

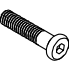
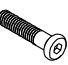








REMINDER: DO NOT OVER TIGHTEN ALL BOLTS UNTIL THE BED IS FULLY SET-UP

PARTS LIST:

①  Headboard 1pc	②  HB Leg 2pcs	③  Footboard 1pc	④  FB Feet 2pcs	⑤  Headboard Crossband 1pc	⑥  Side Rail 4pcs
⑦  Side Rail Feet 2pcs	⑧  Support Rail 2pcs	⑨  Support Leg 2pcs	⑩  Center Support Leg 1pc	⑪  Center Crossband 1pc	⑫  Slats 12pcs
⑬  Wingback 2pcs					

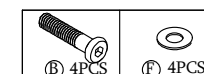
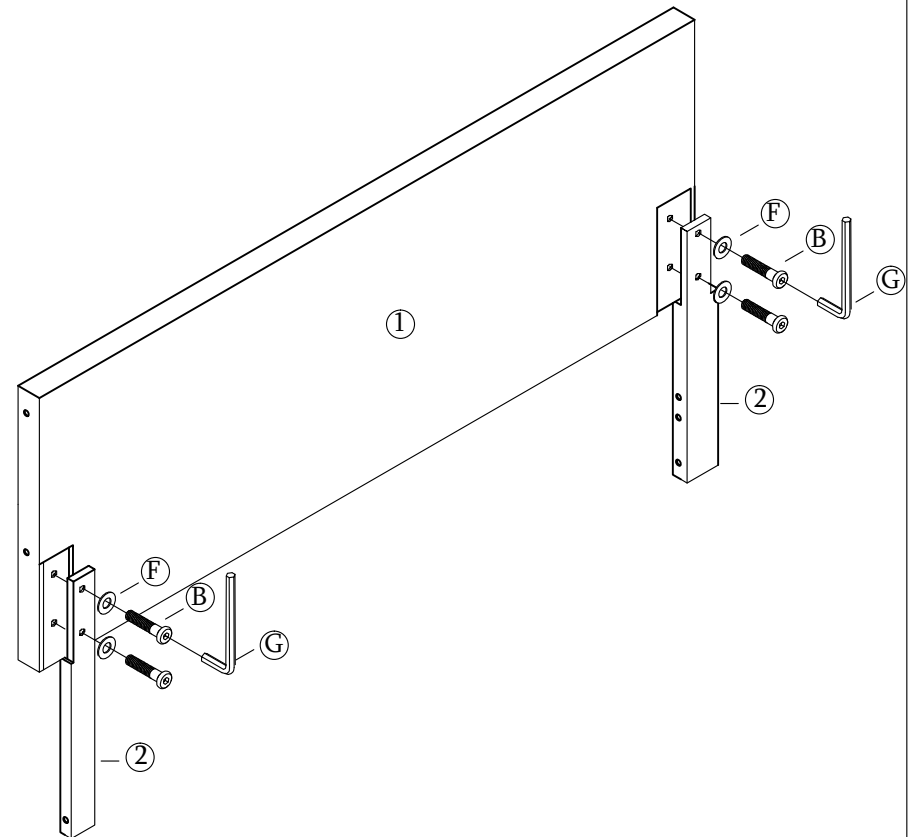
HARDWARE LIST:

A  Bolt 5/16"×1-1/4" 8PCS	B  Bolt 5/16"×2" 15PCS	C  Bolt 5/16"×1" 14PCS	D  Bolt 5/16"×5" 2PCS	E  Nut 5/16" 2PCS	F  Flat washer 5/16"×19MM 41PCS
G  Allen Key 5/16" 1PC	H  Box Wrench 5/16" 1PC				

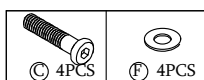
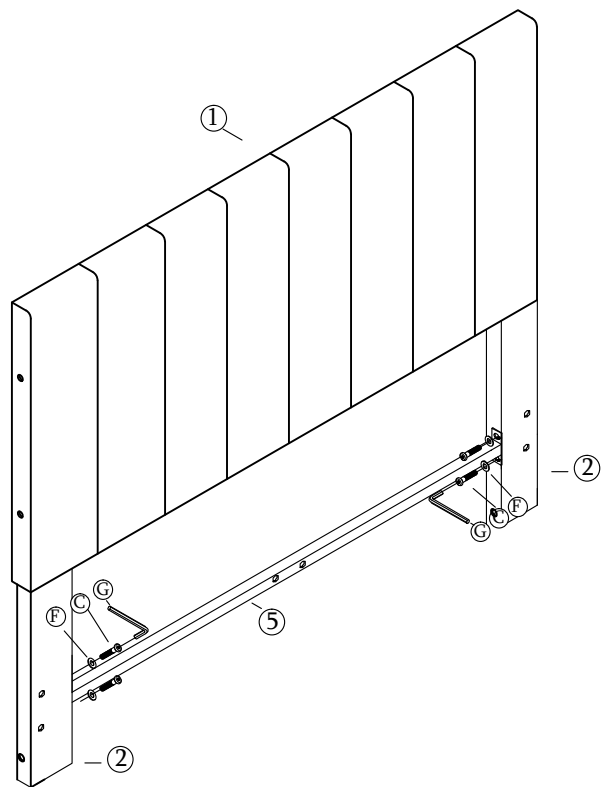
STEP 1:

At the back of headboard (Part 1) install the HB leg (Part 2) by using hard ware provided .

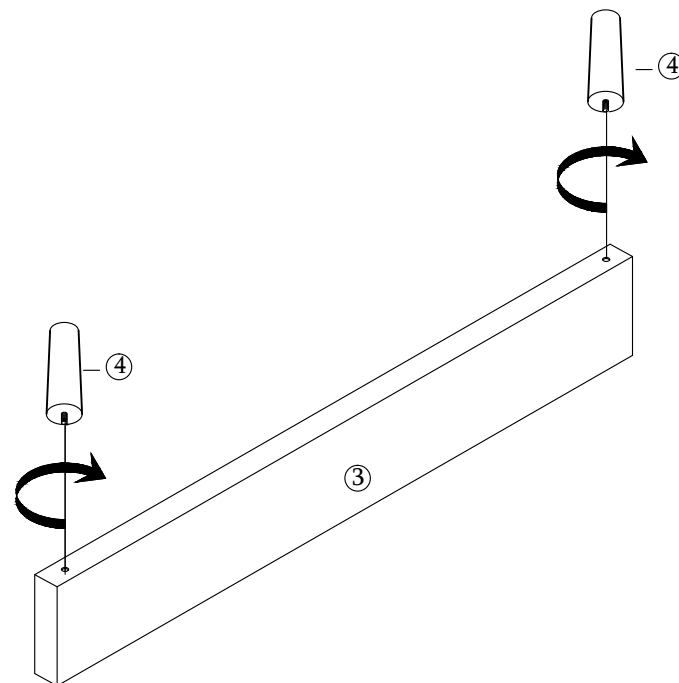
Use allen key (Part G) to screw in bolt (Part B) and washer (Part F) on each side (2 Bolts & 2 Washers on each side) . Do not forget about the washer as this will keep your bed sturdy !



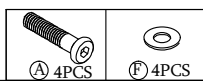
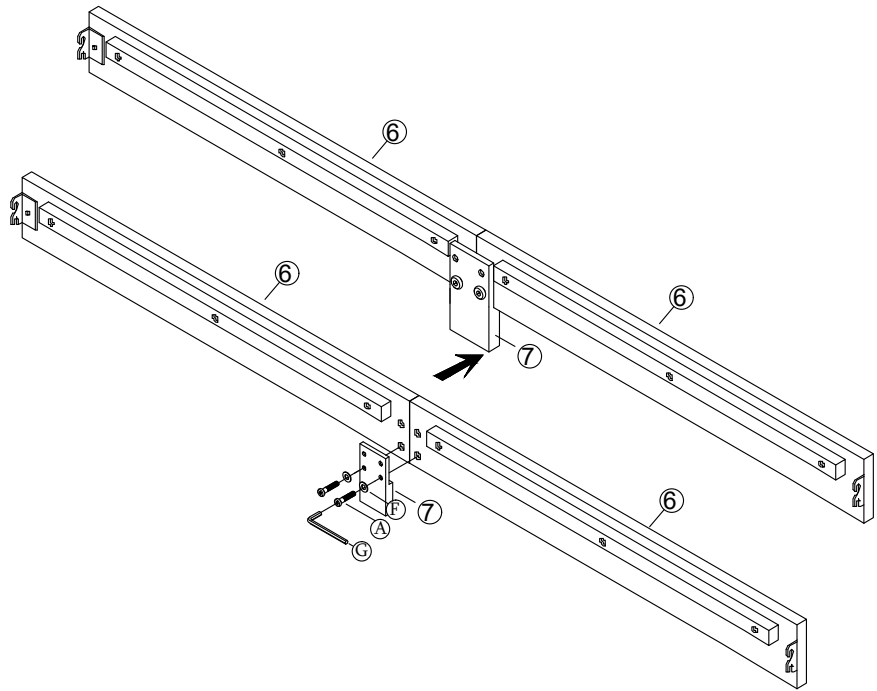
STEP 2 : On the headboard (Part 1), install the HB crossband (Part 5) by using hardware provided. Use the Allen Key (Part G) to screw in the bolt (Part C) and the washer (Part F) on each side (2 Bolts & 2 Washers on each side).



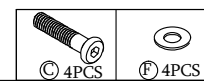
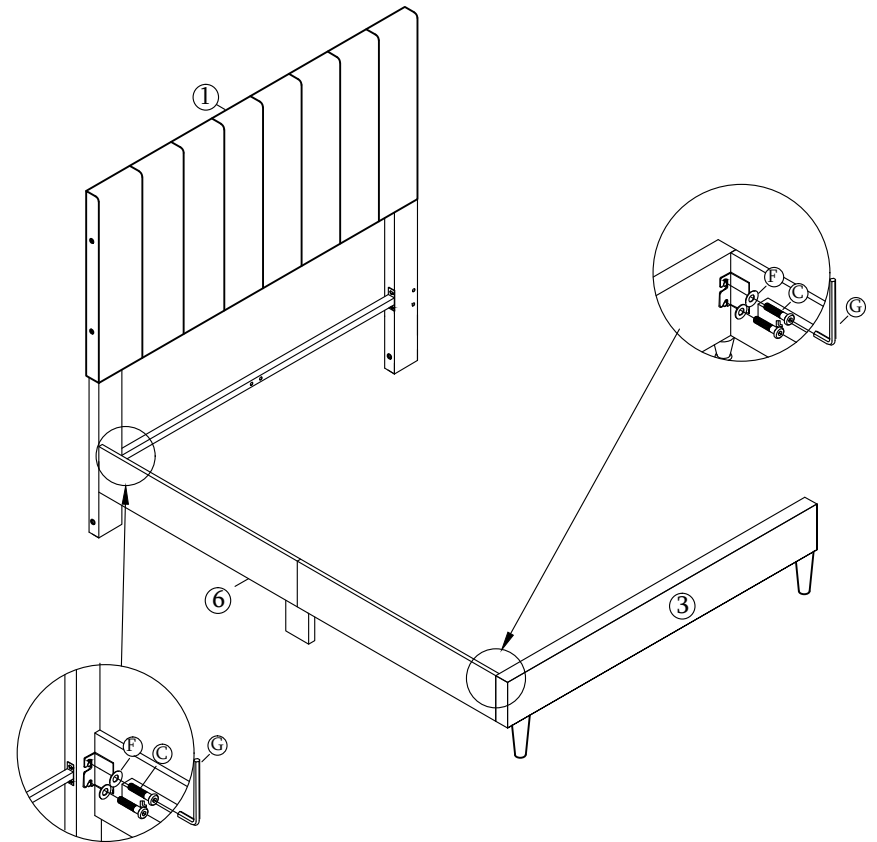
STEP 3 : Turn the footboard (Part 3) over and screw in the footboard legs (Parts 4)



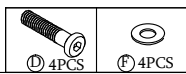
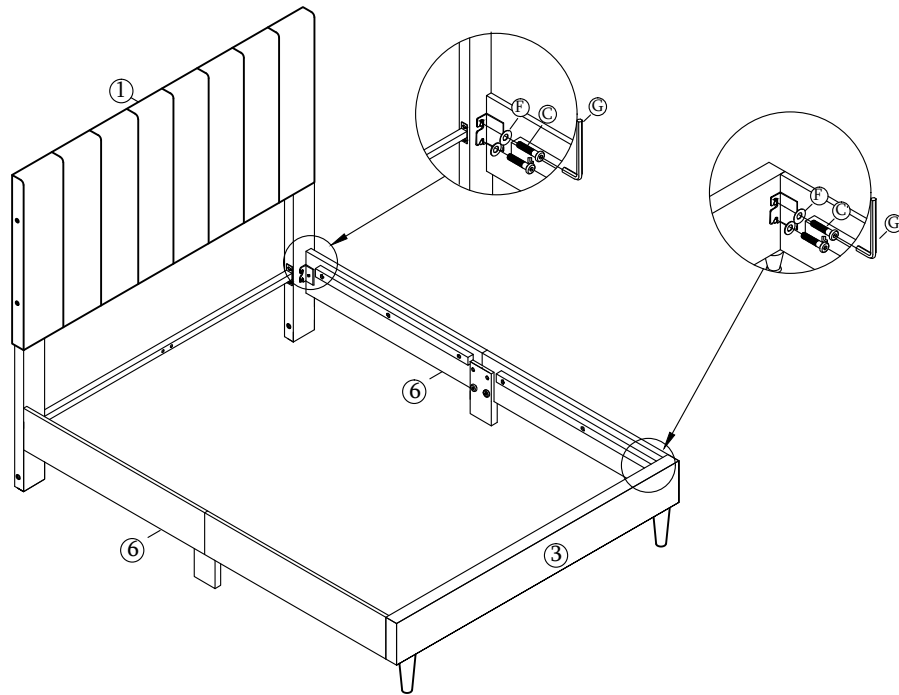
STEP 4 : Now its time to connect the side rails (Part 6), you must line up 2 (Part 6's) together as shown in the photo. Take the side rail feet (Part 7) and line up the holes of the side rails (You will see 2 holes on each side of the side rails to bolt on the Side rail feet (Part 7), pairs of side rails.You will use 2 bolts (Part A) and 2 washers (Part F) on each side rail feet.



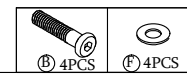
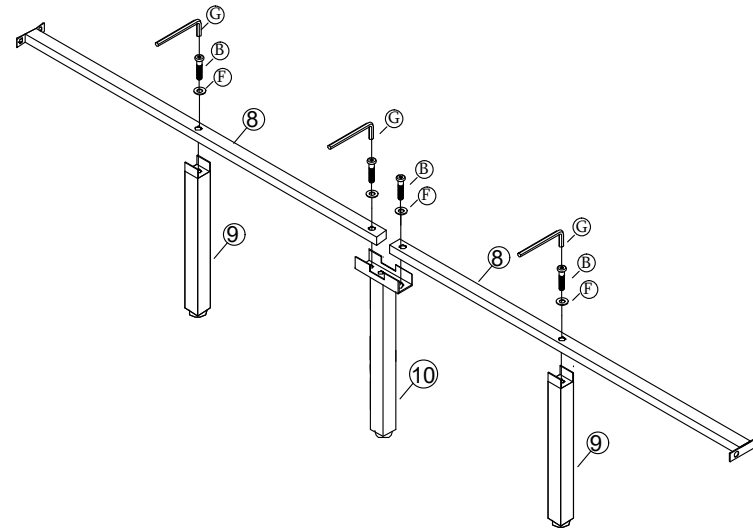
STEP 5: First, lock in your side rail and the footboard in (Look at photo).You will now take one side of the completed Side Rail and bolt that onto the Headboard, make sure the inside of the side rail is facing inside, another way to know it is facing inside is that the Side Rail feet should be on the inside of the bed. For this step you will need 4 Part C and 4 Part F.



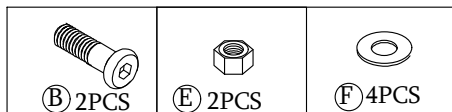
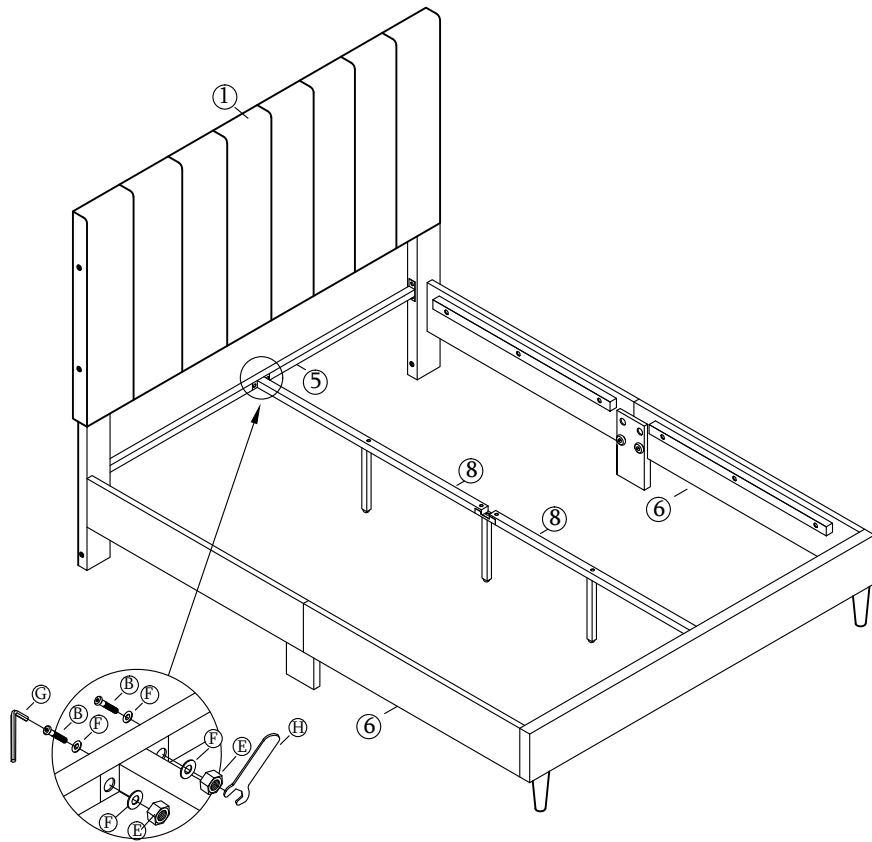
STEP 6: You will be doing the same thing for Step 6 that you step 5 (Only difference is your now connecting the right side rail), please refer to step 5 if you are lost.



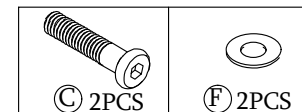
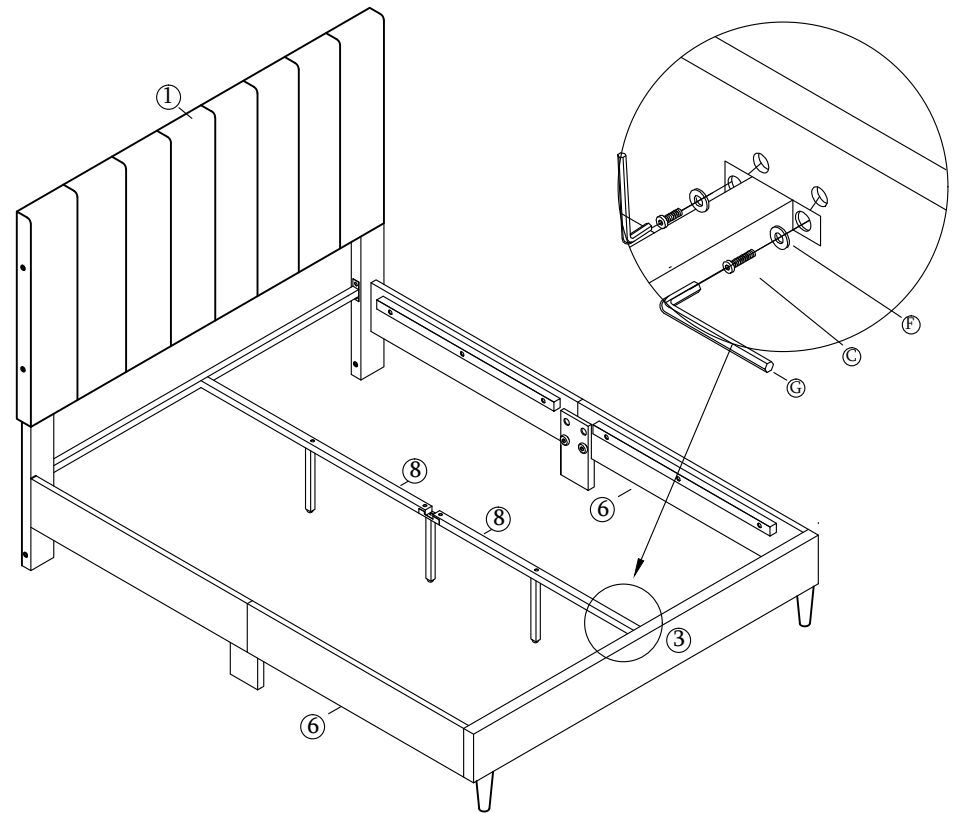
STEP 7: This step requires to properly bolt on the Center Support Rail (Part 8). On each side of the center support rail, you will install 2 support leg (Part 9) which will require Part B, F, & G. Simply put the support leg below the center support rail and use 1 bolts on each legs on top (Washer first then Bolt), and use an Allen key to tighten it up. Now let's install center support leg (Part 10) shown in the photo which is also a support leg that has a holder on top to hold the weight of the center support rail, use 2 bolts & 2 washers on the leg on top, than use an Allen key to tighten it up.



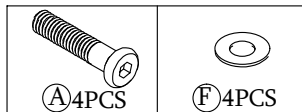
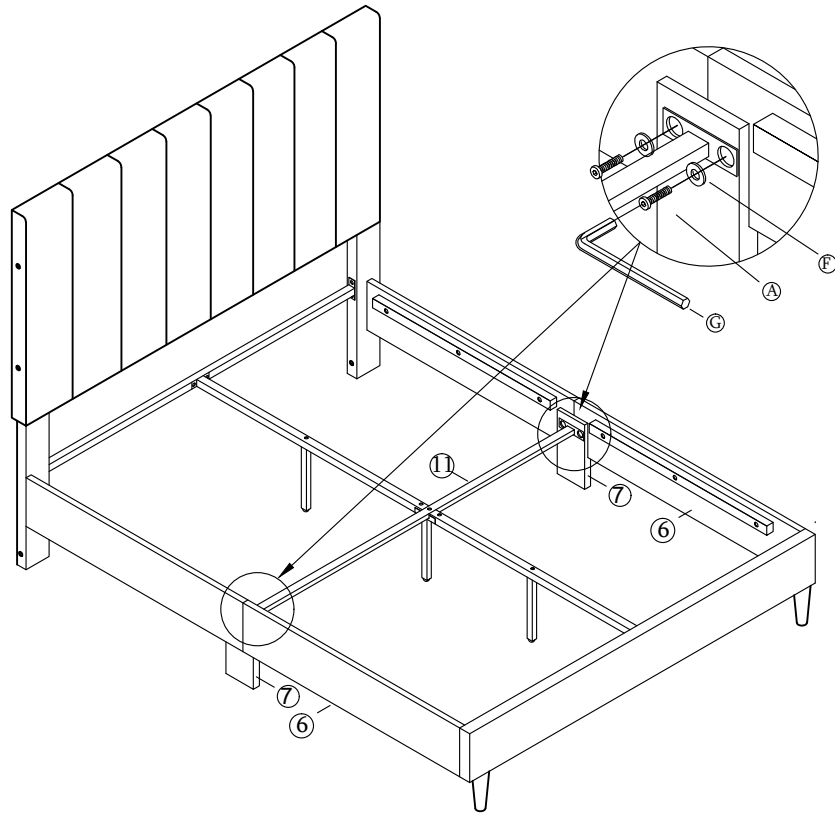
STEP 8: Take the center support rail from Step 7 and lay it in the middle of the bed from headboard to footboard. You will need 2 Part B 4 Part F and 2 Part E. Follow the diagram and bolt everything on from the center support rail to the HB cross brand (Below the headboard)



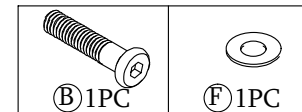
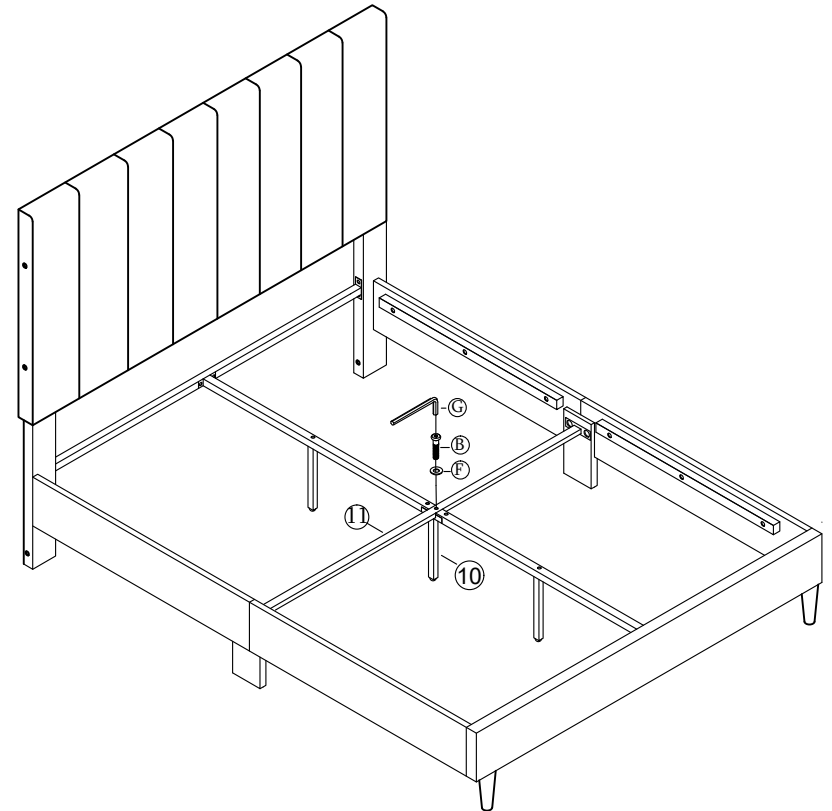
STEP 9: Similar to Step 8, you will use the 2 bolts (Part C) and 2 washers (Part F) and screw in the bolts to the footboard from the center support rail.



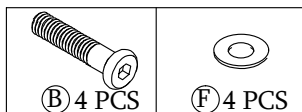
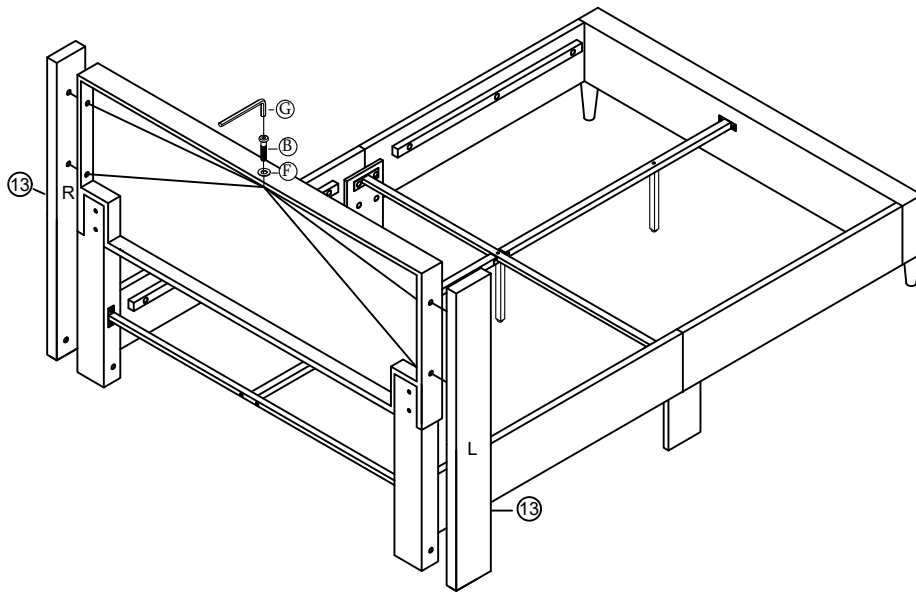
STEP 10: Take Part 11 (Center Crossband) and install that in the middle (As shown in the photo) by simply using Part A (Bolts) and Part F (Washers) and bolt them into the top holes in the side rails. This is to make the base of the bed much stronger!



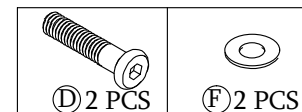
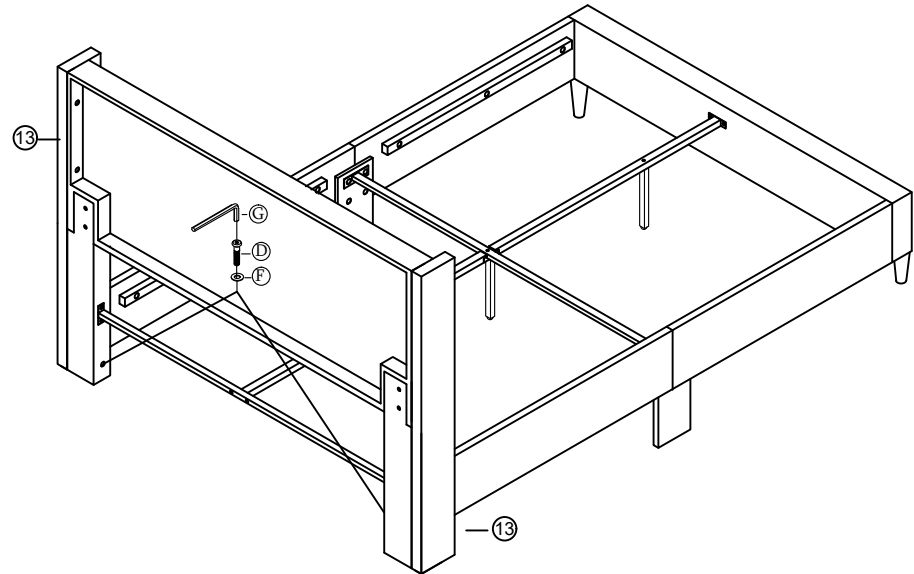
STEP 11: This one is easy! Simply take one bolt (Part B) and one washer (Part F) and bolt that into center where the center support rail and cross band lay on top of each other as shown in photo.



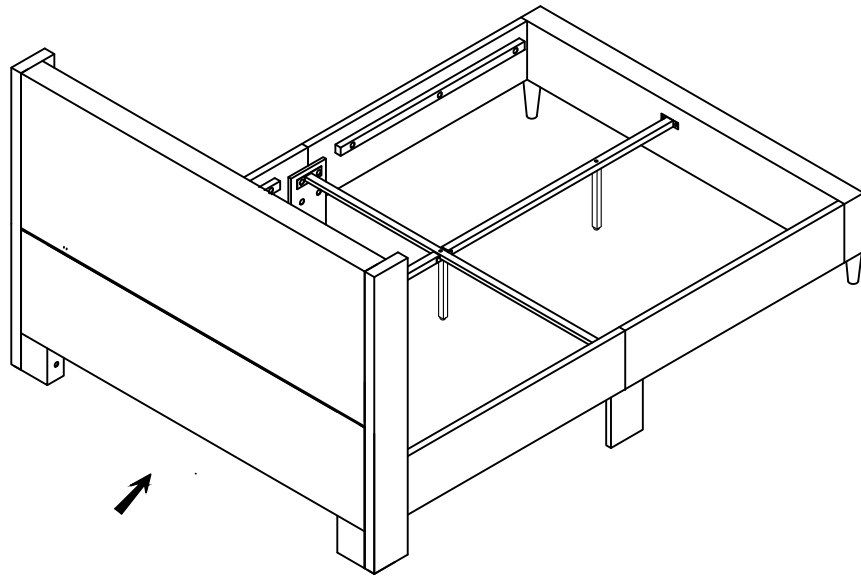
STEP 12: Take Part 13 (Wingback) and install that on the both side of headboard (As shown in the photo) by using Part B (Bolts) and Part F (Washers) and bolt them into the holes, make sure the holes are lined up before installation, and please do not over tighten all the bolts until we finished step 13



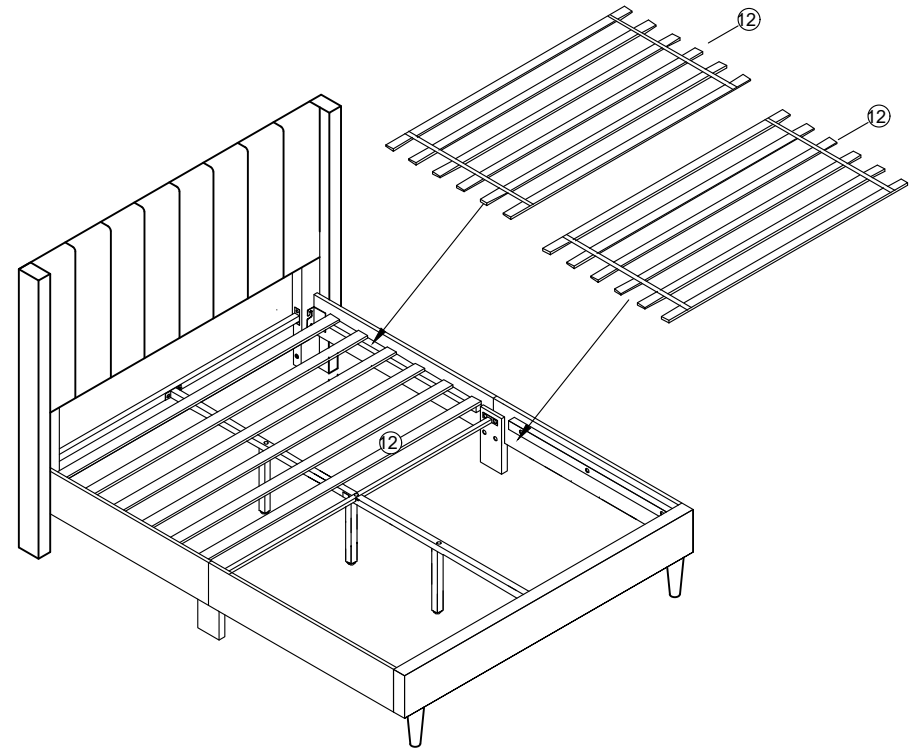
STEP 13: Simply take 2 bolts (Part D) and 2 washer (Part F) and bolt that in to the bottom holes on HB leg and wingback than you guy can tighten up all the bolts used on step12 and step 13



STEP 14: Put the back fabric down to bottom, than smooth it by velcro stick right .



STEP 15: You're almost there ! Simply lay the Slats on the sides of the side rails (On the Inside) you can roll them out and the velcro stick right on (Part 12)



STEP 16: Congratulations, you made it to the end! Time to sleep like a baby and don't forget to leave us a positive review when you wake up =)

